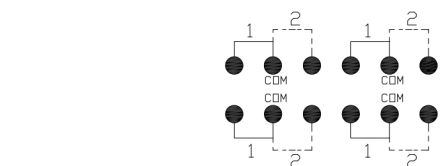
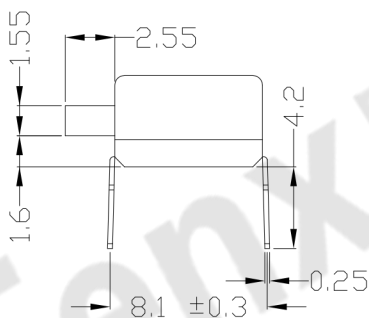
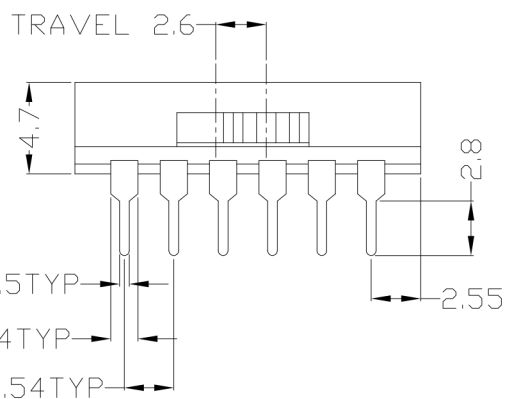
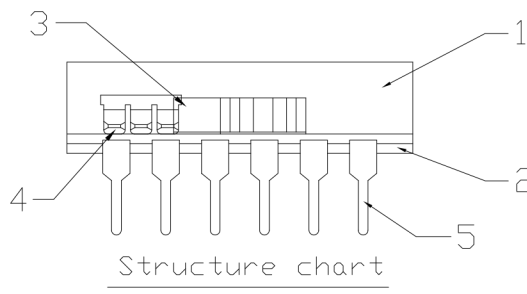
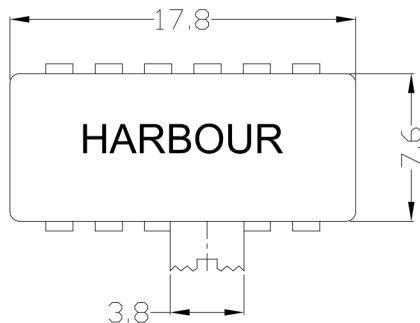




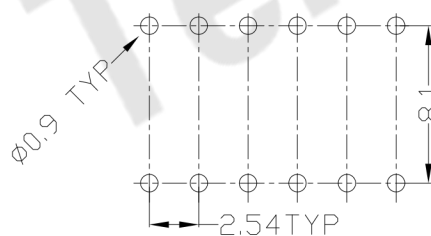
RoHS Compliant  
2002/95/EC

REV.	ECN.	NO.	APPD.

### DIMENSIONS



CIRCUIT DIAGRAM



P.C.B LAYOUT  
TOP VIEW

### 1.Functional spec

1.1 Rated Voltage	DC 20V
1.2 Rated Current	0.4A
1.3 Contact Resistance	40mΩ MAX(Initial value)
1.4 Operating Force	400±150gf
1.5 Bounce Time	
1.6 Free Position	
1.7 Operating Position	
1.8 Position Travel	2.6±0.2mm
1.9 Return Force	

### 2.Reliable Rating

2.1 Mechanical Life	15,000 CYCLES
2.2 Electrical Life	15,000 CYCLES
2.3 Insulation Resistance	≥100MΩ DC500V
2.4 Withstand Voltage	AC500V 1 minute
2.5 Soldering Technic	Hand Soldering
2.6 Operating Temper	-40°C ~ +85°C
2.7 Ambient Humidity Used	<85%RH

### Material list

NO.	PARTS	MATERIAL	Q'TY	FINISHING
8				
7				
6				
5	TERMINAL	C2680	2	
4	CLIP	C5210	4	
3	STEM	NYLON	1	
2	BASE	PBT	1	
1	COVER	PBT	1	

Tolerance:±0.2

UNITS mm

MAT'L

SEE NOTE

FINISH

SEE NOTE

Q'TY



THESE DRAWINGS AND SPECIFICATIONS ARE THE PROPERTY OF ACCURATE INNOVATECH INC AND SHALL NOT BE REPRODUCED, COPIED OR USED IN ANY MANNER WITHOUT THE PRIOR WRITTEN CONSENT OF ACCURATE INNOVATECH INC.

东莞市腾兴电子有限公司

TITLE: SLIDE SWITCH / HORIZONTAL

PART NO.: SK-42F009-01P

DR: Ricky 2017/3/10

DWG NO.: ATD-42F009-01P

CHKD: Ricky 2017/3/10

APPD:

SCALE	SHEET	REV.	CUSTOMER DRAWING
1:1	1/1	A	