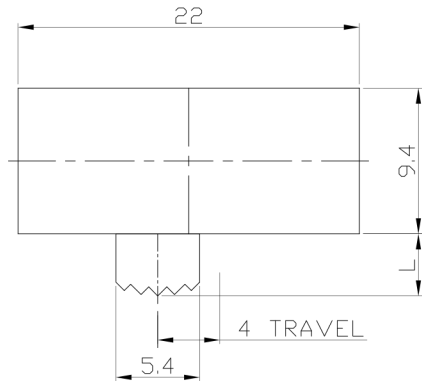




**RoHS Compliant**  
2002/95/EC

REV.	ECN. NO.	APPD.

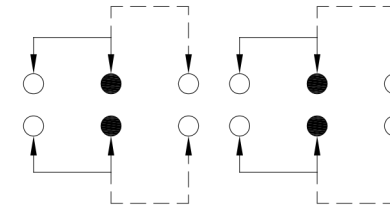
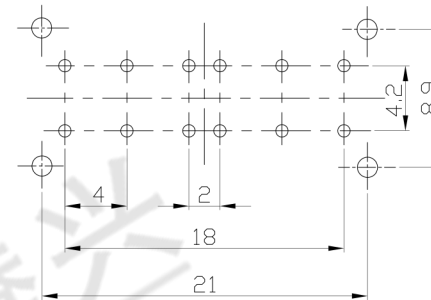
**DIMENSIONS**



MODEL CODE

SK-42H13-GDB

Knob Type	L(mm)
GDB	~



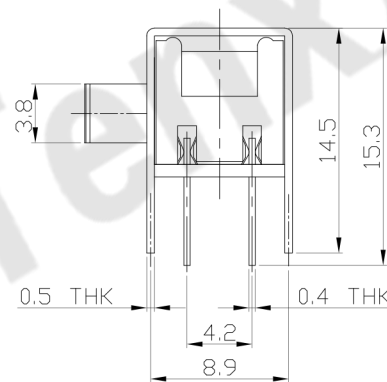
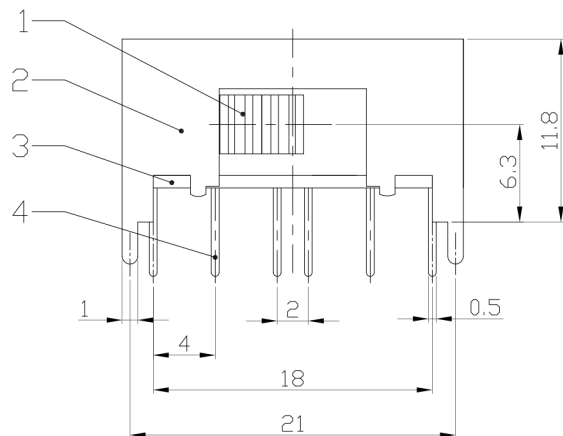
P.C.B LAYOUT  
BOTTOM VIEW

CIRCUIT DIAGRAM

**ELECTRO-MECHANICAL CHARACTERISTICS**  
Refer to additional specifications

RATING	0.3A 50V DC
CIRCUIT	4P2T
CONTACT RESISTANCE	100mΩ MAX.
TIMING	NON-SHORTING
TRAVEL	4mm
OPERATING FORCE	200±80gf
OPERATING LIFE(cycles)	10,000

GDB Type



8					WITHIN 1.5mm: ±0.1mm	UNITS mm
7	STEEL BALL	STEEL	1	NATURAL	OVER 1.5mm: ±0.2mm	MAT'L
6	SPRING	STEEL WIRE	1	TEMPER		SEE NOTE
5	CONTACT CLIP	PBS STRIP	4	Ag PLATED		FINISH
4	TERMINAL	BRASS STRIP	12	Ag PLATED		SEE NOTE
3	BASE	PHENOLIC RESIN	1	NATURAL		Q'TY
2	FRAME	STEEL STRIP	1	Ni PLATED		
1	KNOB	POM	1	BLACK		
NO.	PARTS	MATERIAL	Q'TY	FINISHING		

THESE DRAWINGS AND SPECIFICATIONS ARE THE PROPERTY OF ACCURATE INNO TECH INC AND SHALL NOT BE REPRODUCED, COPIED OR USED IN ANY MANNER WITHOUT THE PRIOR WRITTEN CONSENT OF ACCURATE INNO TECH INC.

**东莞市腾兴电子有限公司**

TITLE:	SLIDE SWITCH / HORIZONTAL	PART NO.:	SK-42H13
DR:	Ricky 2016/07/14	DWG NO.:	ADL-42H13
CHKD:	Ricky 2016/07/14	SCALE	SHEET
APPD:		2:1	1/1
		REV.	A
		CUSTOMER DRAWING	