



**RoHS Compliant**  
2002/95/EC

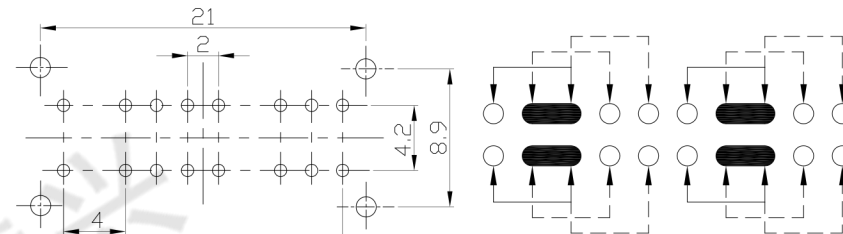
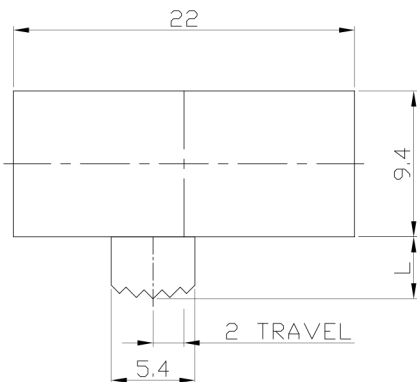
MODEL CODE

SK-43D03-GDB

Knob Type	L(mm)
GDB	~

REV.	ECN.	NO.	APPD.

DIMENSIONS



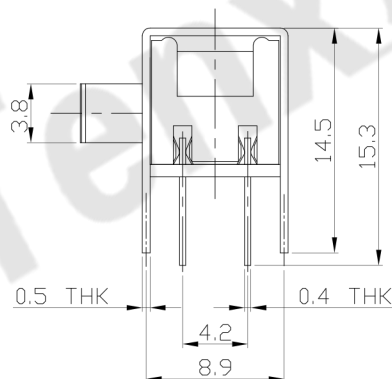
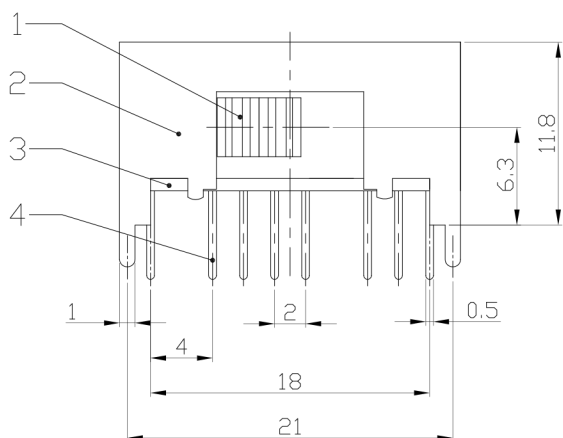
P.C.B LAYOUT  
BOTTOM VIEW

CIRCUIT DIAGRAM

ELECTRO-MECHANICAL CHARACTERISTICS  
Refer to additional specifications

RATING	0.3A 50V DC
CIRCUIT	4P3T
CONTACT RESISTANCE	100mΩ MAX.
TIMING	SHORTING
TRAVEL	2mm
OPERATING FORCE	300±100gf
OPERATING LIFE(cycles)	10,000

GDB Type



8					WITHIN 1.5mm: ±0.1mm	UNITS mm	<p style="text-align: center;"><b>东莞市腾兴电子有限公司</b></p> <p>TITLE: SLIDE SWITCH / HORIZONTAL</p> <p>PART NO.: SK-43D03</p> <p>DR: Ricky 2016/07/15</p> <p>DWG NO.: ADL-43D03</p> <p>CHKD: Ricky 2016/07/15</p> <p>APPD:</p> <p>SCALE SHEET REV. CUSTOMER DRAWING</p> <p>2:1 1/1 A</p>
7	STEEL BALL	STEEL	1	NATURAL	OVER 1.5mm: ±0.2mm	MAT'L	
6	SPRING	STEEL WIRE	1	TEMPER		SEE NOTE	
5	CONTACT CLIP	PBS STRIP	4	Ag PLATED		FINISH	
4	TERMINAL	BRASS STRIP	16	Ag PLATED		SEE NOTE	
3	BASE	PHENOLIC RESIN	1	NATURAL		Q'TY	
2	FRAME	STEEL STRIP	1	Ni PLATED			
1	KNOB	POM	1	BLACK			
NO.	PARTS	MATERIAL	Q'TY	FINISHING			

THESE DRAWINGS AND SPECIFICATIONS ARE THE PROPERTY OF ACCURATE INNOTECH INC AND SHALL NOT BE REPRODUCED, COPIED OR USED IN ANY MANNER WITHOUT THE PRIOR WRITTEN CONSENT OF ACCURATE INNOTECH INC.

