



RoHS Compliant
2002/95/EC

MODEL CODE

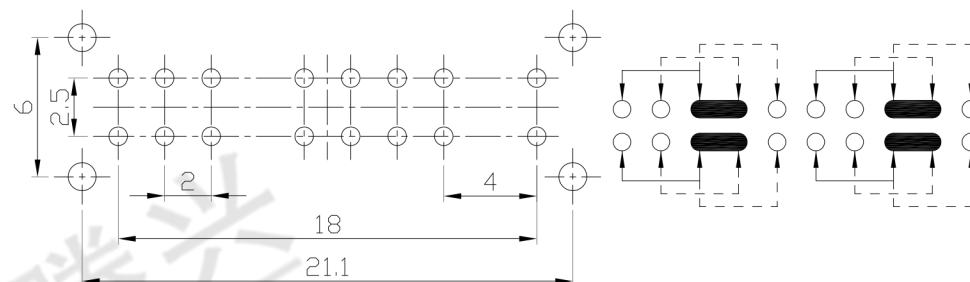
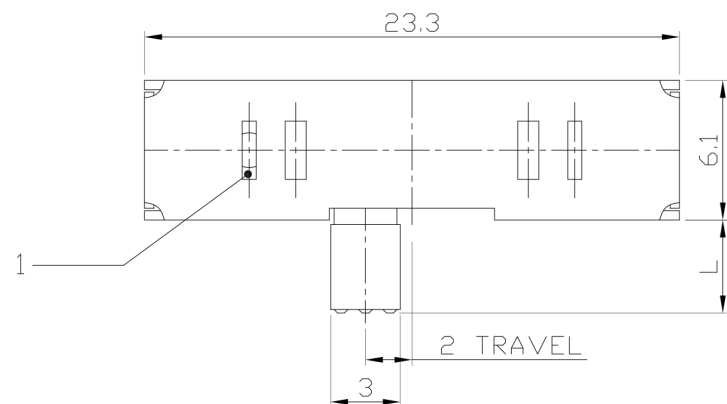
SK-43D09- PGA

Knob Type
PGA

L(mm)
~

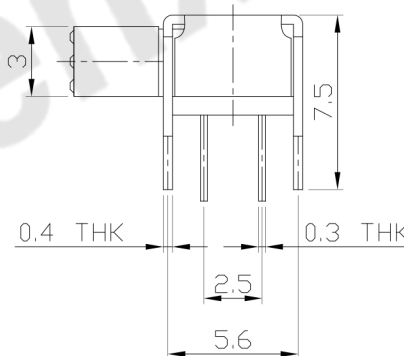
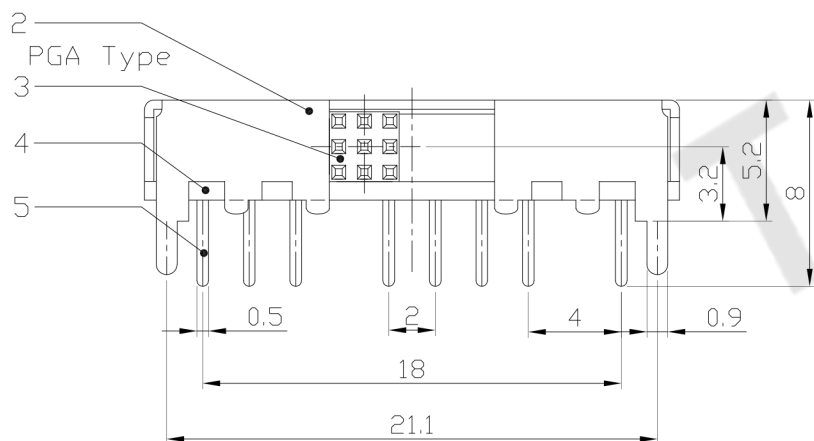
REV.	ECN.	NO.	APPD.

DIMENSIONS



P.C.B LAYOUT
BOTTOM VIEW

CIRCUIT DIAGRAM



ELECTRO-MECHANICAL CHARACTERISTICS
Refer to additional specifications

RATING	0.3A 50V DC
CIRCUIT	4P3T
CONTACT RESISTANCE	100mΩ MAX.
TIMING	SHORTING
TRAVEL	2mm
OPERATING FORCE	250±100gf
OPERATING LIFE(cycles)	10,000

NO.	PARTS	MATERIAL	Q'TY	FINISHING
8				
7				
6	CONTACT CLIP	PBS STRIP	4	Ag PLATED
5	TERMINAL	BRASS STRIP	16	Ag PLATED
4	BASE	PHENOLIC RESIN	1	NATURAL
3	KNOB	POM	1	BLACK
2	FRAME	STEEL STRIP	1	Ni PLATED
1	SPRING PLATE	PBS STRIP	1	NATURAL
NO.	PARTS	MATERIAL	Q'TY	FINISHING

WITHIN 1.5mm: ±0.1mm
OVER 1.5mm: ±0.2mm

UNITS mm

MAT'L

SEE NOTE

FINISH

SEE NOTE

Q'TY

THESE DRAWINGS AND SPECIFICATIONS ARE THE PROPERTY OF ACCURATE INNO TECH INC AND SHALL NOT BE REPRODUCED, COPIED OR USED IN ANY MANNER WITHOUT THE PRIOR WRITTEN CONSENT OF ACCURATE INNO TECH INC.

东莞市腾兴电子有限公司

TITLE:
SLIDE SWITCH / HORIZONTAL

DR: Ricky 2016/07/18

CHKD: Ricky 2016/07/18

APPD:

PART NO.:
SK-43D09

DWG NO.:
ADL-43D09

SCALE	SHEET	REV.	CUSTOMER DRAWING
3:1	1/1	A	