



RoHS
Compliant
2002/95/EC

REV.	ECN.	NO.	APPD.

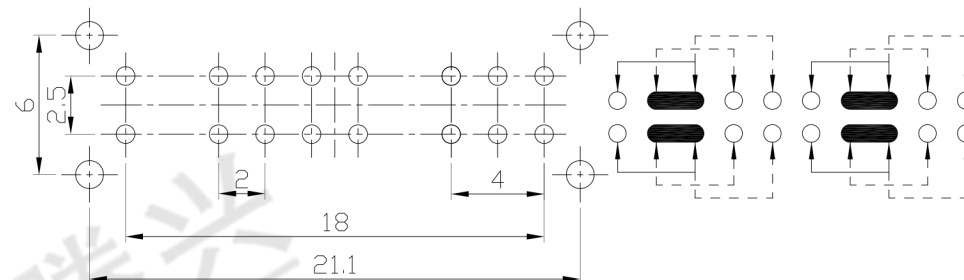
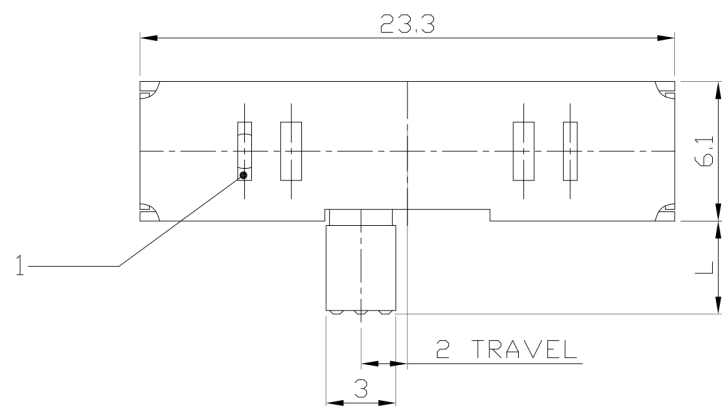
MODEL CODE

SK-43D10-PGA

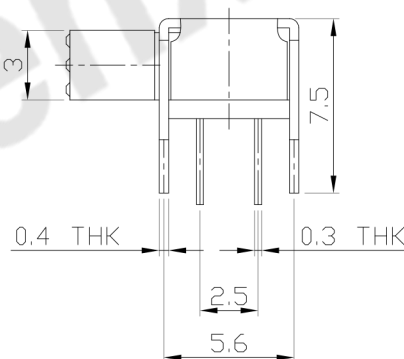
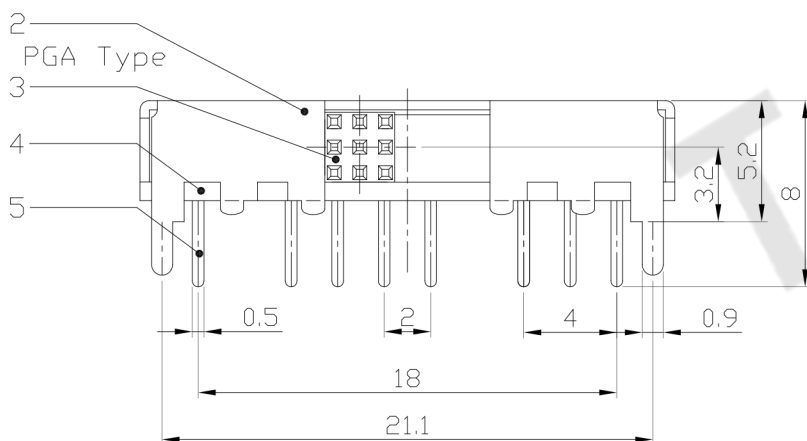
Knob Type
PGA

L(mm)
~

DIMENSIONS



CIRCUIT DIAGRAM



P.C.B LAYOUT
BOTTOM VIEW

ELECTRO-MECHANICAL CHARACTERISTICS
Refer to additional specifications

RATING	0.3A 50V DC
CIRCUIT	4P3T
CONTACT RESISTANCE	100mΩ MAX.
TIMING	SHORTING
TRAVEL	2mm
OPERATING FORCE	250±100gf
OPERATING LIFE(cycles)	10,000

8					
7					
6	CONTACT CLIP	PBS STRIP	4	Ag PLATED	
5	TERMINAL	BRASS STRIP	16	Ag PLATED	
4	BASE	PHENOLIC RESIN	1	NATURAL	
3	KNOB	POM	1	BLACK	
2	FRAME	STEEL STRIP	1	Ni PLATED	
1	SPRING PLATE	PBS STRIP	1	NATURAL	
NO.	PARTS	MATERIAL	Q'TY	FINISHING	

WITHIN 1.5mm: ±0.1mm	UNITS	mm
OVER 1.5mm: ±0.2mm	MAT'L	
	SEE NOTE	
	FINISH	
	SEE NOTE	
	Q'TY	

东莞市腾兴电子有限公司

TITLE: SLIDE SWITCH / HORIZONTAL PART NO.: SK-43D10

DR: *Ricky* 2016/07/18 DWG NO.: ADL-43D10

CHKD: *Ricky* 2016/07/18

APPD:

SCALE	SHEET	REV.	CUSTOMER DRAWING
3:1	1/1	A	

THESE DRAWINGS AND SPECIFICATIONS ARE THE PROPERTY OF ACCURATE INNO TECH INC AND SHALL NOT BE REPRODUCED, COPIED OR USED IN ANY MANNER WITHOUT THE PRIOR WRITTEN CONSENT OF ACCURATE INNO TECH INC.