



RoHS
Compliant
2002/95/EC

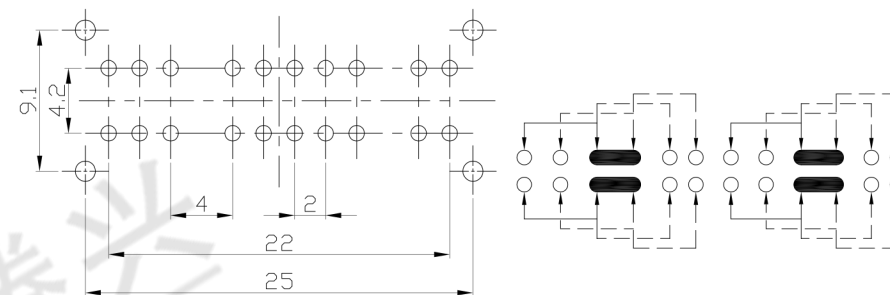
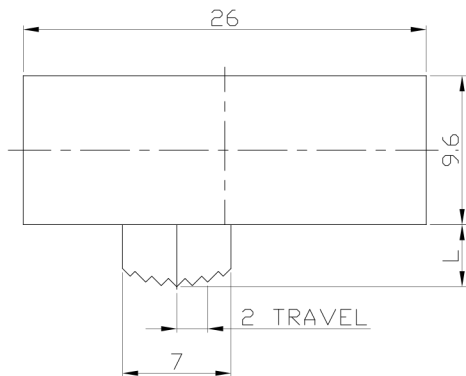
REV.	ECN. NO.	APPD.

MODEL CODE

SK-44D04-GDD

Knob Type	L(mm)
GDD	~

DIMENSIONS



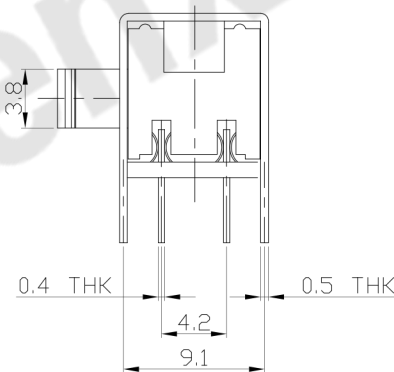
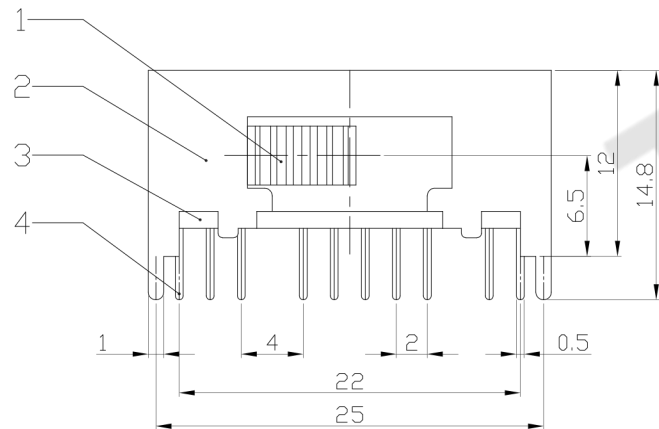
P.C.B LAYOUT
BOTTOM VIEW

CIRCUIT DIAGRAM

ELECTRO-MECHANICAL CHARACTERISTICS
Refer to additional specifications

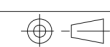
RATING	0.5A 50V DC
CIRCUIT	4P4T
CONTACT RESISTANCE	100mΩ MAX.
TIMING	SHORTING
TRAVEL	2mm
OPERATING FORCE	250±100gf
OPERATING LIFE(cycles)	10,000

GDD Type



8					WITHIN 1.5mm: ±0.1mm	UNITS mm
7	CONTACT CLIP	PBS STRIP	4	Ag PLATED	OVER 1.5mm: ±0.2mm	MAT'L
6	SPRING	STEEL WIRE	1	NATURAL		SEE NOTE
5	STEEL BALL	STEEL	1	NATURAL		FINISH
4	TERMINAL	BRASS STRIP	20	Ag PLATED		SEE NOTE
3	BASE	PHENOLIC RESIN	1	NATURAL		Q'TY
2	FRAME	STEEL STRIP	1	Ni PLATED		
1	KNOB	POM	1	BLACK		
NO.	PARTS	MATERIAL	Q'TY	FINISHING		

THESE DRAWINGS AND SPECIFICATIONS ARE THE PROPERTY OF ACCURATE INNO TECH INC AND SHALL NOT BE REPRODUCED, COPIED OR USED IN ANY MANNER WITHOUT THE PRIOR WRITTEN CONSENT OF ACCURATE INNO TECH INC.



东莞市腾兴电子有限公司

TITLE:	SLIDE SWITCH / HORIZONTAL	PART NO.:	SK-44D04
DR:	Ricky 2016/07/18	DWG NO.:	ADL-44D04
CHKD:	Ricky 2016/07/18	SCALE	SHEET
APPD:		2:1	1/1
		REV.:	A
		CUSTOMER DRAWING	