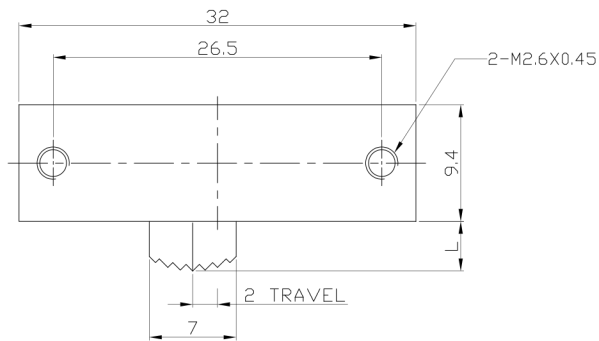




**RoHS Compliant**  
2002/95/EC

REV.	ECN.	NO.	APPD.

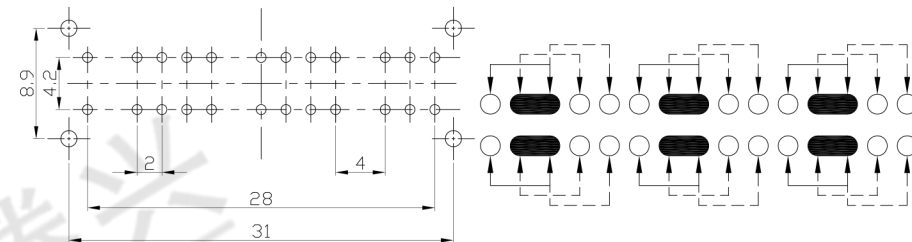
**DIMENSIONS**



MODEL CODE

SK-63D01-GDD

Knob Type	L(mm)
GDD	~



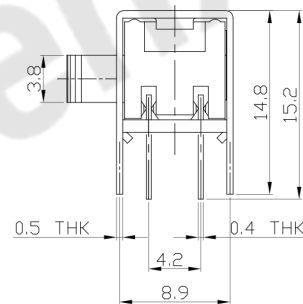
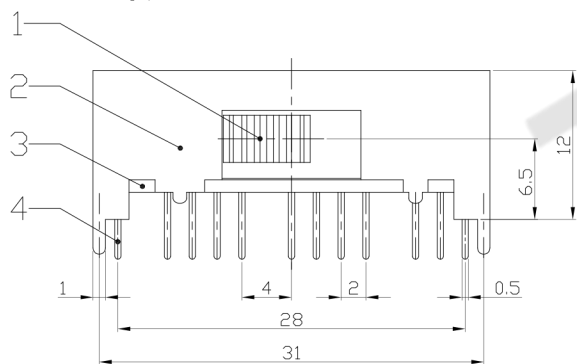
P.C.B LAYOUT  
BOTTOM VIEW

CIRCUIT DIAGRAM

**ELECTRO-MECHANICAL CHARACTERISTICS**  
Refer to additional specifications

RATING	0.3A 50V DC
CIRCUIT	6P3T
CONTACT RESISTANCE	100mΩ MAX.
TIMING	SHORTING
TRAVEL	2mm
OPERATING FORCE	300±100gf
OPERATING LIFE(cycles)	10,000

GDD Type



NO.	PARTS	MATERIAL	Q'TY	FINISHING
8				
7	STEEL BALL	STEEL	1	NATURAL
6	SPRING	STEEL WIRE	1	NATURAL
5	CONTACT CLIP	PBS STRIP	6	Ag PLATED
4	TERMINAL	BRASS STRIP	24	Ag PLATED
3	BASE	PHENOLIC RESIN	1	NATURAL
2	FRAME	STEEL STRIP	1	Ni PLATED
1	KNOB	POM	1	BLACK

WITHIN 1.5mm: ±0.1mm	UNITS mm
OVER 1.5mm: ±0.2mm	MAT'L
	SEE NOTE
	FINISH
	SEE NOTE
	Q'TY

THESE DRAWINGS AND SPECIFICATIONS ARE THE PROPERTY OF ACCURATE INNOTECH INC AND SHALL NOT BE REPRODUCED, COPIED OR USED IN ANY MANNER WITHOUT THE PRIOR WRITTEN CONSENT OF ACCURATE INNOTECH INC.

**东莞市腾兴电子有限公司**

TITLE: SLIDE SWITCH / HORIZONTAL	PART NO.: SK-63D01
DR: <i>Ricky</i> 2016/07/18	DWG NO.: ADL-63D01
CHKD: <i>Ricky</i> 2016/07/18	SCALE SHEET REV. CUSTOMER 3:2 1/1 A DRAWING
APPD:	