



RoHS
Compliant
2002/95/EC

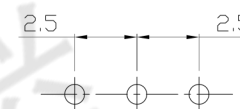
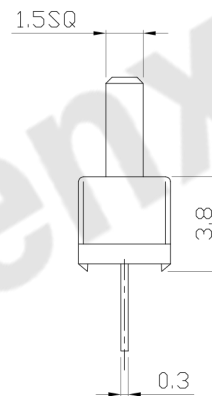
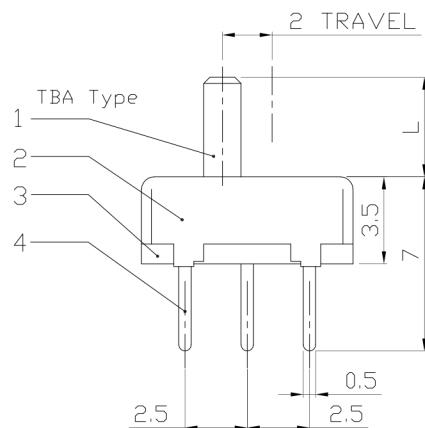
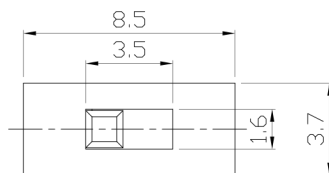
REV.	ECN.	NO.	APPD.

MODEL CODE

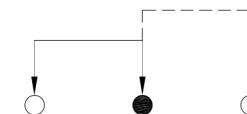
SS-12D01- TBA

Knob Type	L(mm)
TBA	~

DIMENSIONS



P.C.B LAYOUT
BOTTOM VIEW



CIRCUIT DIAGRAM

ELECTRO-MECHANICAL CHARACTERISTICS

Refer to additional specifications

RATING	0.5A 50V DC
CIRCUIT	1P2T
CONTACT RESISTANCE	50mΩ MAX.
TIMING	NON-SHORTING
TRAVEL	2mm
OPERATING FORCE	200±100gf
OPERATING LIFE(cycles)	10,000

8					WITHIN 1.5mm: ±0.1mm	UNITS	mm	东莞市腾兴电子有限公司 TITLE: SLIDE SWITCH / VERTICAL PART NO.: SS-12D01 DR: Ricky 2016/08/03 DWG NO.: CHKD: Ricky 2016/08/03 APPD: SCALE: 3:1 SHEET: 1/1 REV: A CUSTOMER DRAWING
7					OVER 1.5mm: ±0.2mm	MAT'L		
5	CONTACT	PBS	1	Ag PLATED		SEE NOTE		
4	TERMINAL	BRASS	1	Ag PLATED		FINISH		
3	TERMINAL CASE	PHENOLIC RESIN	1	NATURAL		SEE NOTE		
2	COVER	MILD STEEL	1	Ni PLATED		Q'TY		
1	KNOB	POM	1	BLACK				
NO.	PARTS	MATERIAL	Q'TY	FINISHING				

THESE DRAWINGS AND SPECIFICATIONS ARE THE PROPERTY OF ACCURATE INNO TECH INC AND SHALL NOT BE REPRODUCED, COPIED OR USED IN ANY MANNER WITHOUT THE PRIOR WRITTEN CONSENT OF ACCURATE INNO TECH INC.

