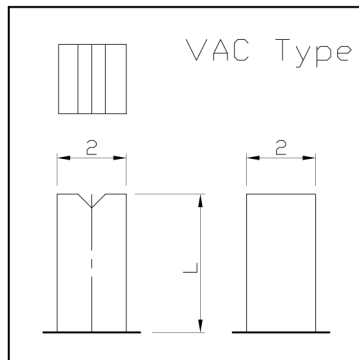
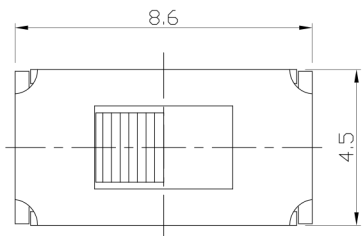




RoHS
Compliant
2002/95/EC

REV.	ECN.	NO.	APPD.

DIMENSIONS

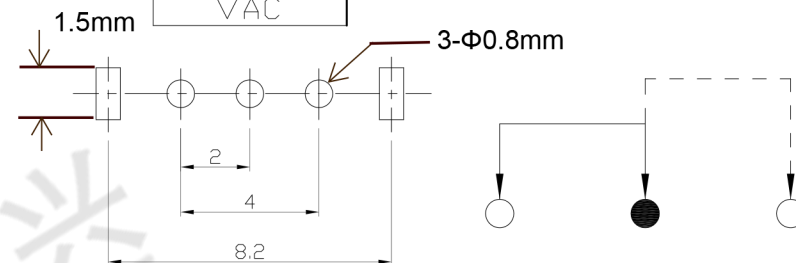


MODEL CODE

SS-12D02-GEE

Knob Type
GEE
VAC

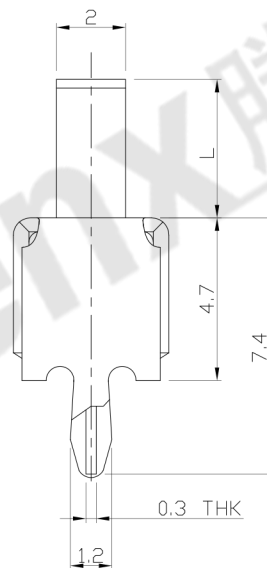
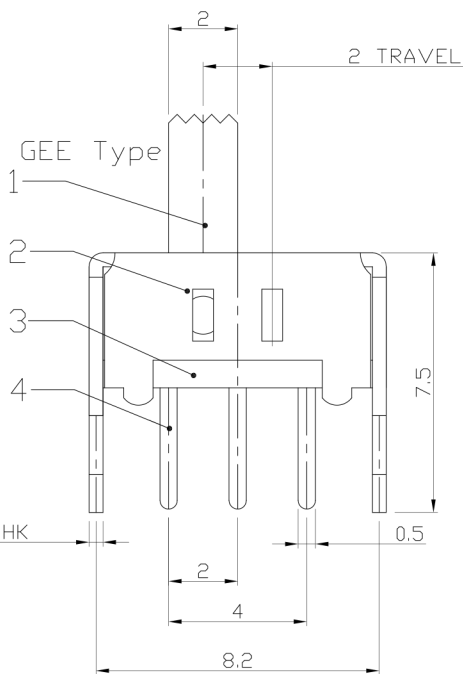
L(mm)
~



P.C.B LAYOUT

BOTTOM VIEW

CIRCUIT DIAGRAM



ELECTRO-MECHANICAL CHARACTERISTICS

Refer to additional specifications

RATING	DC50V 0.3A
CIRCUIT	1P2T
CONTACT RESISTANCE	100mΩ MAX.
TIMING	NON-SHORTING
TRAVEL	2mm
OPERATING FORCE	250±100gf
OPERATING LIFE(cycles)	10,000

8					WITHIN 1.5mm: ±0.1mm	UNITS	东莞市腾兴电子有限公司 TITLE: SLIDE SWITCH / VERTICAL PART NO.: DR: <i>Ricky</i> 2015/05/19 DWG NO.: CHKD: <i>Ricky</i> 2015/05/19 SCALE SHEET REV. CUSTOMER DRAWING 4:1 1/1 A
7					OVER 1.5mm: ±0.2mm	MAT'L	
6	SPRING PLATE	PBS STRIP	1	NATURAL		SEE NOTE	
5	CONTACT CLIP	PBS STRIP	1	Ag PLATED		SEE NOTE	
4	TERMINAL	BRASS STRIP	3	Ag PLATED		FINISH	
3	BASE	PHENOLIC RESIN	1	NATURAL		SEE NOTE	
2	FRAME	STEEL STRIP	1	Ni PLATEFD		Q'TY	
1	KNOB	PDM	1	BLACK		APPD:	
NO.	PARTS	MATERIAL	Q'TY	FINISHING			

THESE DRAWINGS AND SPECIFICATIONS ARE THE PROPERTY OF ACCURATE INNOTECH INC AND SHALL NOT BE REPRODUCED, COPIED OR USED IN ANY MANNER WITHOUT THE PRIOR WRITTEN CONSENT OF ACCURATE INNOTECH INC.

