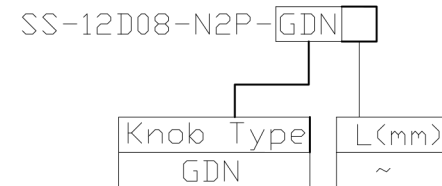




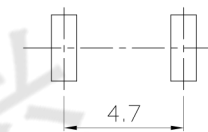
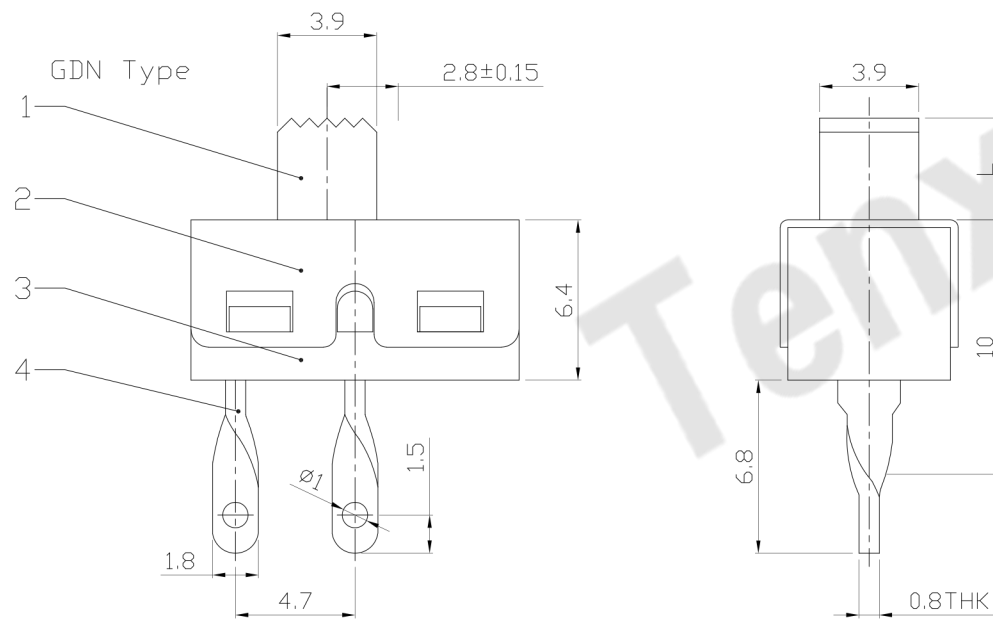
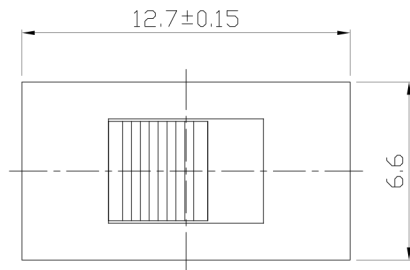
RoHS Compliant
2002/95/EC

REV.	ECN. NO.	APPD.

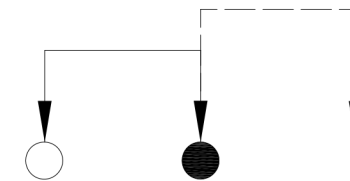
MODEL CODE



DIMENSIONS



P.C.B LAYOUT
BOTTOM VIEW



CIRCUIT DIAGRAM

ELECTRO-MECHANICAL CHARACTERISTICS

Refer to additional specifications

RATING	2A 6V DC
CIRCUIT	1P2T
CONTACT RESISTANCE	100mΩ MAX.
TIMING	NON-SHORTING
TRAVEL	2.8±0.15mm
OPERATING FORCE	500±250gf
OPERATING LIFE(cycles)	10,000

NO.	PARTS	MATERIAL	Q'TY	FINISHING
8				WITHIN 1.5mm: ±0.1mm
7	STEEL BALL	STEEL	1	NATURAL
6	SPRING	STEEL WIRE	1	NATURAL
5	CONTACT	BRASS STRIP	1	Ag PLATED
4	TERMINAL	BRASS STRIP	2	Ag PLATED
3	CASE	PA66/NYLON+F.G+94V0	1	BLACK
2	COVER	SUS	1	NATURAL
1	KNOB	POM/PA66	1	BLACK
				OVER 1.5mm: ±0.2mm
				UNITS mm
				MAT'L
				SEE NOTE
				FINISH
				SEE NOTE
				Q'TY
				⊕

THESE DRAWINGS AND SPECIFICATIONS ARE THE PROPERTY OF ACCURATE INNO TECH INC AND SHALL NOT BE REPRODUCED, COPIED OR USED IN ANY MANNER WITHOUT THE PRIOR WRITTEN CONSENT OF ACCURATE INNO TECH INC.

东莞市腾兴电子有限公司

TITLE:	SLIDE SWITCH / VERTICAL	PART NO.:	SS-12D08-N2P
DR:	Ricky 2016/02/17	DWG NO.:	ADL-12D08-N2P
CHKD:	Ricky 2016/02/17	SCALE	3:1
APPD:		SHEET	1/1
		REV.	A
		CUSTOMER DRAWING	