



RoHS  
Compliant  
2002/95/EC

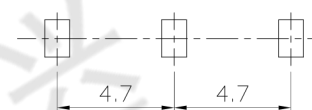
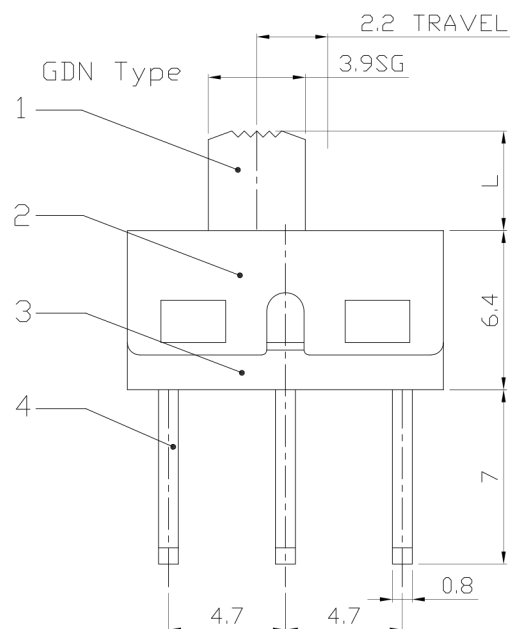
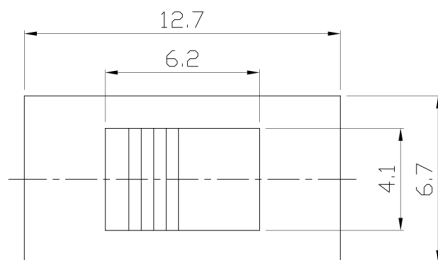
REV.	ECN. NO.	APPD.

### MODEL CODE

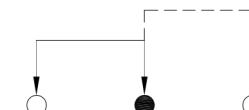
SS-12D10- GDN

Knob Type	L(mm)
GDN	~

### DIMENSIONS



P.C.B LAYOUT  
BOTTOM VIEW



CIRCUIT DIAGRAM

### ELECTRO-MECHANICAL CHARACTERISTICS

Refer to additional specifications

RATING	1.5A 125V AC
CIRCUIT	1P2T
CONTACT RESISTANCE	30mΩ MAX.
TIMING	NON-SHORTING
TRAVEL	2.2mm
OPERATING FORCE	300±150gf
OPERATING LIFE(cycles)	10,000

8					WITHIN 1.5mm: ±0.1mm	UNITS	mm
7					OVER 1.5mm: ±0.2mm	MAT'L	
6	SPRING	SUS	1	NATURAL		SEE NOTE	
5	CONTACT	BRASS	1	Ag PLATED			
4	TERMINAL	BRASS	3	Ag PLATED		FINISH	
3	CASE	NYLON	1	BLACK		SEE NOTE	
2	COVER	SUS	1	NATURAL		Q'TY	
1	KNOB	NYLON	1	BLACK			
NO.	PARTS	MATERIAL	Q'TY	FINISHING			

THESE DRAWINGS AND SPECIFICATIONS ARE THE PROPERTY OF ACCURATE INNO TECH INC AND SHALL NOT BE REPRODUCED, COPIED OR USED IN ANY MANNER WITHOUT THE PRIOR WRITTEN CONSENT OF ACCURATE INNO TECH INC.



东莞市腾兴电子有限公司

TITLE:	SLIDE SWITCH / VERTICAL	PART NO.:	SS-12D10
DR:	Ricky 2016/08/03	DWG NO.:	AZJ-12D10
CHKD:	Ricky 2016/08/03	SCALE	3:1
APPD:		SHEET	1/1
		REV.	A
		CUSTOMER DRAWING	