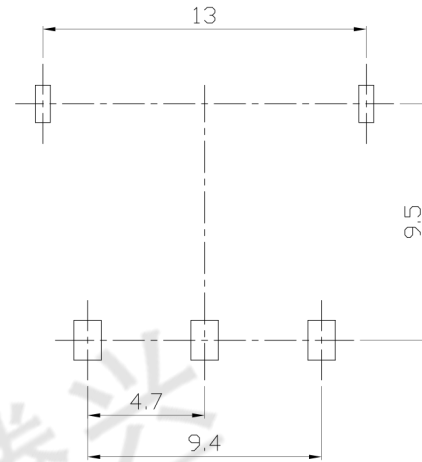
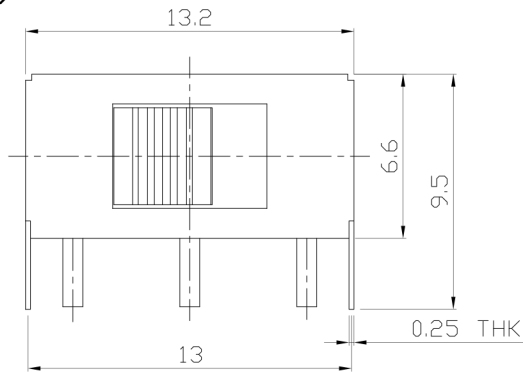




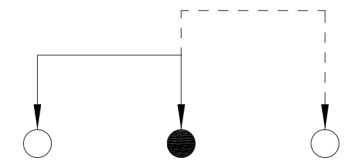
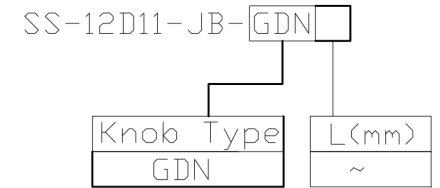
RoHS
Compliant
2002/95/EC

REV.	ECN. NO.	APPD.

DIMENSIONS



MODEL CODE



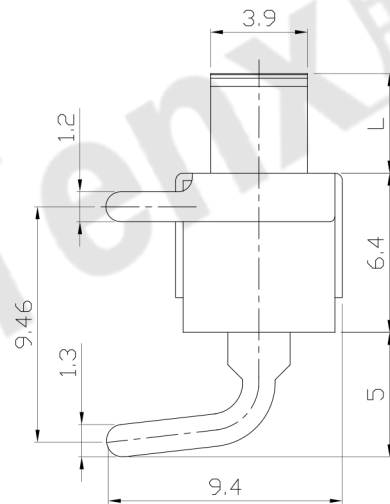
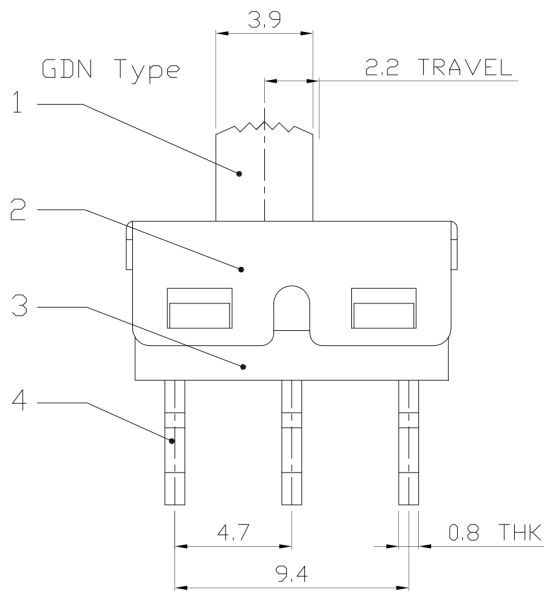
P.C.B LAYOUT
BOTTOM VIEW

CIRCUIT DIAGRAM

ELECTRO-MECHANICAL CHARACTERISTICS

Refer to additional specifications

RATING	2A 125V AC
CIRCUIT	1P2T
CONTACT RESISTANCE	30mΩ MAX.
TIMING	NON-SHORTING
TRAVEL	2.2mm
OPERATING FORCE	300±150gf
OPERATING LIFE(cycles)	10,000



8					WITHIN 1.5mm: ±0.1mm	UNITS	mm
7	STEEL BALL	STEEL	1	NATURAL	OVER 1.5mm: ±0.2mm	MAT'L	
6	SPRING	STEEL WIRE	1	NATURAL		SEE NOTE	
5	CONTACT	COPPER STRIP/BRASS STRIP	1	Ag PLATED OVER Ni PLATED		FINISH	
4	TERMINAL	COPPER STRIP/BRASS STRIP	3	Ag PLATED OVER Ni PLATED		SEE NOTE	
3	CASE	NYLON+F.G+94V0	1	BLACK		Q'TY	
2	COVER	SUS	1	NATURAL/Sn PLATED			
1	KNOB	NYLON+F.G+94V0	1	BLACK			
NO.	PARTS	MATERIAL	Q'TY	FINISHING			

THESE DRAWINGS AND SPECIFICATIONS ARE THE PROPERTY OF ACCURATE INNOVATECH INC AND SHALL NOT BE REPRODUCED, COPIED OR USED IN ANY MANNER WITHOUT THE PRIOR WRITTEN CONSENT OF ACCURATE INNOVATECH INC.



东莞市腾兴电子有限公司

TITLE:	SLIDE SWITCH / VERTICAL	PART NO.:	SS-12D11-JB
DR:	Ricky 2015/06/09	DWG NO.:	ADJ-12D11-JB
CHKD:	Ricky 2015/06/09	SCALE	SHEET
APPD:		3:1	1/1
		REV.	A
		CUSTOMER DRAWING	