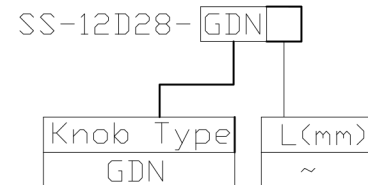




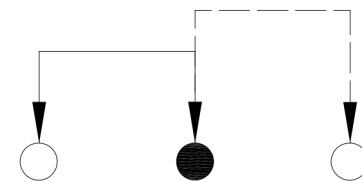
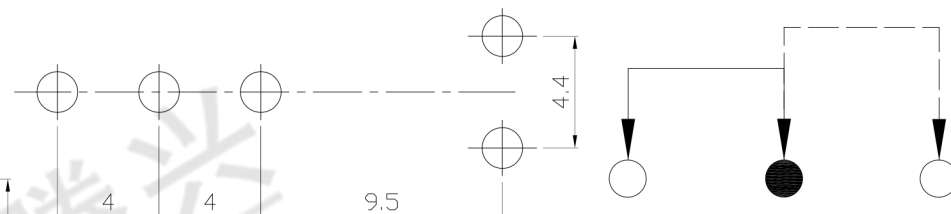
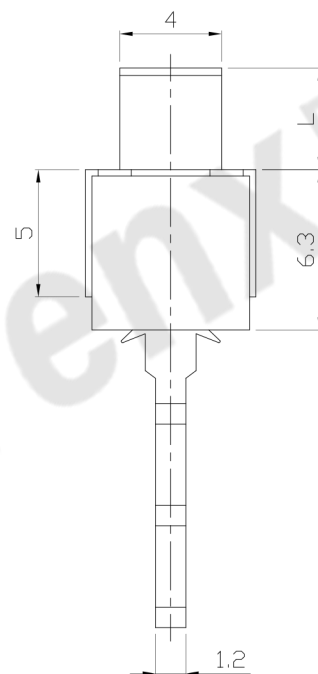
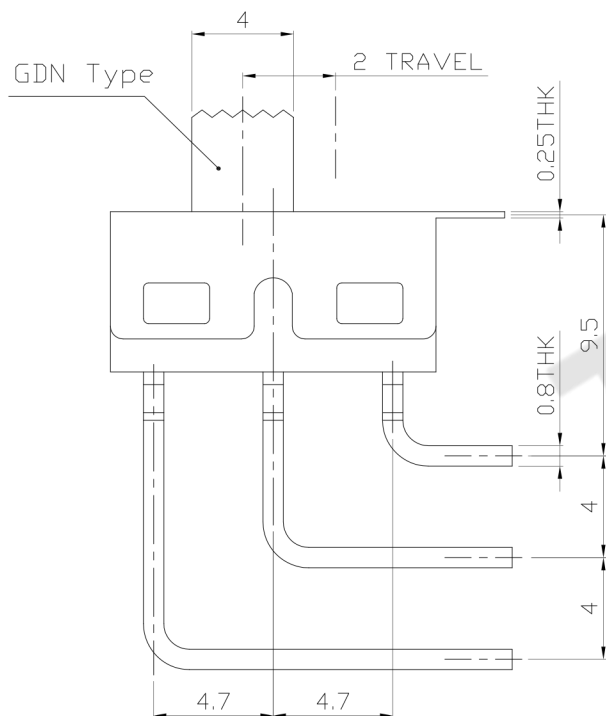
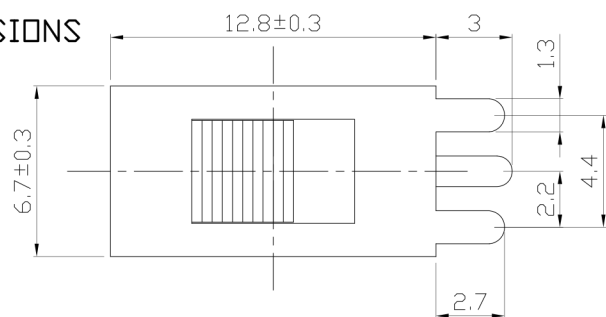
**RoHS Compliant**  
2002/95/EC

REV.	ECN. NO.	APPD.

### MODEL CODE



### DIMENSIONS



P.C.B LAYOUT  
BOTTOM VIEW

CIRCUIT DIAGRAM

### ELECTRO-MECHANICAL CHARACTERISTICS

Refer to additional specifications

RATING	AC 125V DR 28V DC 3A
CIRCUIT	1P2T
CONTACT RESISTANCE	100mΩ MAX.
TIMING	NON-SHORTING
TRAVEL	2mm
OPERATING FORCE	350±100gf
OPERATING LIFE(cycles)	10,000

8					
7	SPRING	SUS	1		
6	SPRING PLATE	PBS	1	Ag PLATED	
5	COVER	SUS	1	WASHING	
4	CONTACT FOOT	BRASS	3	Ag PLATED	
3	BAR	PA66	1	RED	
2	KONB	PA66	1	BLACK	
1	CASE	PA9T	1	RED	
NO.	PARTS	MATERIAL	Q'TY	FINISHING	

WITHIN 1.5mm: ±0.1mm  
OVER 1.5mm: ±0.2mm

UNITS mm

MAT'L SEE NOTE

FINISH SEE NOTE

Q'TY

THESE DRAWINGS AND SPECIFICATIONS ARE THE PROPERTY OF ACCURATE INNO TECH INC AND SHALL NOT BE REPRODUCED, COPIED OR USED IN ANY MANNER WITHOUT THE PRIOR WRITTEN CONSENT OF ACCURATE INNO TECH INC.

**东莞市腾兴电子有限公司**

TITLE: SLIDE SWITCH / VERTICAL	PART NO.:	SS-12D28	
DR: <i>Ricky</i> 2016/02/17	DWG NO.:	ADL-12D28	
CHKD: <i>Ricky</i> 2016/02/17	SCALE	SHEET	REV.
APPD:	1:1	1/1	A
			CUSTOMER DRAWING