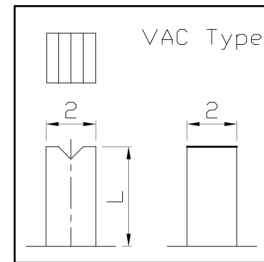
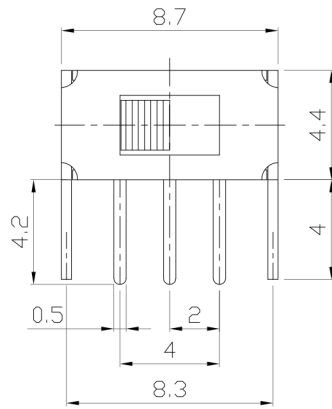




RoHS Compliant
2002/95/EC

| | | | |
|------|------|-----|-------|
| REV. | ECN. | NO. | APPD. |
| | | | |
| | | | |

DIMENSIONS

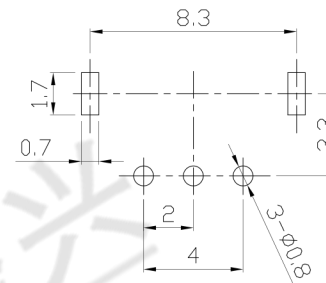


MODEL CODE

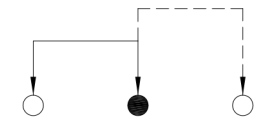
SS-12D37-**GEE**

| |
|-----------|
| Knob Type |
| GEE |
| VAC |

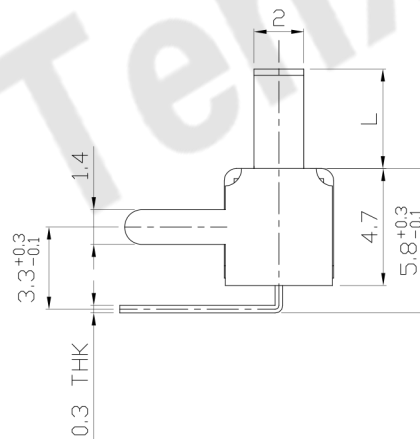
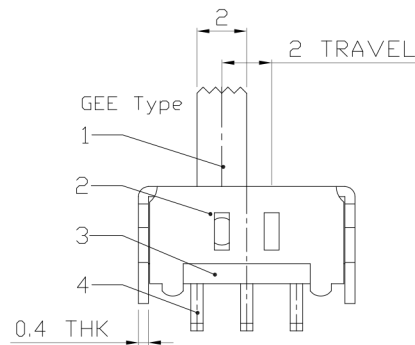
| |
|-------|
| L(mm) |
| ~ |



P.C.B LAYOUT
BOTTOM VIEW



CIRCUIT DIAGRAM



ELECTRO-MECHANICAL CHARACTERISTICS

Refer to additional specifications

| | |
|------------------------|--------------|
| RATING | 0.3A 50V DC |
| CIRCUIT | 1P2T |
| CONTACT RESISTANCE | 100mΩ MAX. |
| TIMING | NON-SHORTING |
| TRAVEL | 2mm |
| OPERATING FORCE | 250±100gf |
| OPERATING LIFE(cycles) | 10,000 |

| | | | | | |
|-----|--------------|----------------|------|-----------|----------------------|
| 8 | | | | | |
| 7 | | | | | |
| 6 | SPRING PLATE | PBS STRIP | 1 | NATURAL | WITHIN 1.5mm: ±0.1mm |
| 5 | CONTACT CLIP | PBS STRIP | 1 | Ag CLAD | OVER 1.5mm: ±0.2mm |
| 4 | TERMINAL | BRASS STRIP | 3 | Ag CLAD | |
| 3 | BASE | PHENOLIC RESIN | 1 | NATURAL | |
| 2 | FRAME | STEEL STRIP | 1 | Ni PLATED | |
| 1 | KNOB | POM | 1 | BLACK | |
| NO. | PARTS | MATERIAL | Q'TY | FINISHING | |

THESE DRAWINGS AND SPECIFICATIONS ARE THE PROPERTY OF ACCURATE INNOVATECH INC AND SHALL NOT BE REPRODUCED, COPIED OR USED IN ANY MANNER WITHOUT THE PRIOR WRITTEN CONSENT OF ACCURATE INNOVATECH INC.

| | | | | | |
|--------|----------|--------------------|-------------------------|------|------------------|
| UNITS | mm | 东莞市腾兴电子有限公司 | | | |
| MAT'L | SEE NOTE | | | | |
| FINISH | SEE NOTE | TITLE: | SLIDE SWITCH / VERTICAL | | |
| Q'TY | SEE NOTE | DR: | Ricky 2015/07/07 | | |
| | | CHKD: | Ricky 2015/07/07 | | |
| | | APPD: | | | |
| | | PART NO.: | SS-12D37 | | |
| | | DWG NO.: | ADL-12D37 | | |
| | | SCALE | SHEET | REV. | CUSTOMER DRAWING |
| | | 4:1 | 1/1 | A | |