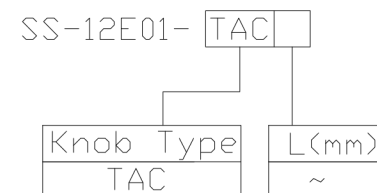




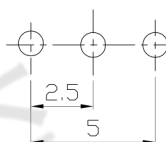
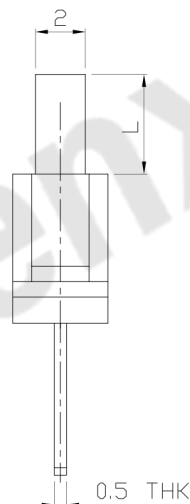
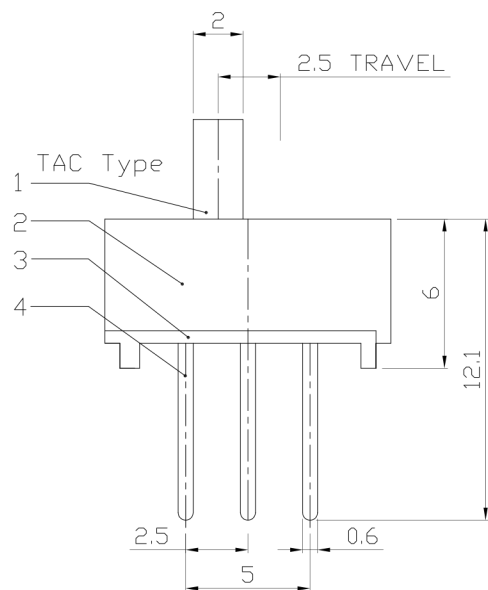
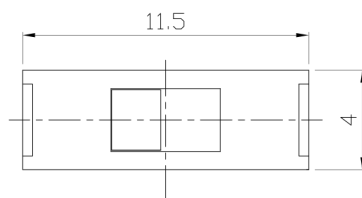
RoHS
Compliant
2002/95/EC

REV.	ECN. NO.	APPD.

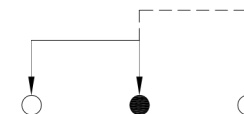
MODEL CODE



DIMENSIONS



P.C.B LAYOUT
BOTTOM VIEW



CIRCUIT DIAGRAM

ELECTRO-MECHANICAL CHARACTERISTICS

Refer to additional specifications

RATING	0.3A 50V DC
CIRCUIT	1P2T
CONTACT RESISTANCE	30mΩ MAX.
TIMING	SHORTING
TRAVEL	2.5mm
OPERATING FORCE	250±100gf
OPERATING LIFE(cycles)	10,000

8					WITHIN 1.5mm: ±0.1mm	UNITS	mm	东莞市腾兴电子有限公司 TITLE: SLIDE SWITCH / VERTICAL PART NO.: SS-12E01 DR: Ricky 2016/08/04 DWG NO.: AZJ-12E01 CHKD: Ricky 2016/08/04 APPD:
7					OVER 1.5mm: ±0.2mm	MAT'L		
6						SEE NOTE		
5	CONTACT CLIP	PBS C5210R-EH	1	Ag CLAD		FINISH		
4	TERMINAL	BRASS STRIP	3	Ag PLATED		SEE NOTE		
3	BASE	PA+F.G	1	BLACK		Q'TY		
2	HOUSING	PA+F.G	1	BLACK	<small>THESE DRAWINGS AND SPECIFICATIONS ARE THE PROPERTY OF ACCURATE INNO TECH INC AND SHALL NOT BE REPRODUCED, COPIED OR USED IN ANY MANNER WITHOUT THE PRIOR WRITTEN CONSENT OF ACCURATE INNO TECH INC.</small>			
1	KNOB	PA+F.G	1	BLACK				
NO.	PARTS	MATERIAL	Q'TY	FINISHING				SCALE: 4:1 SHEET: 1/1 REV: A CUSTOMER DRAWING

