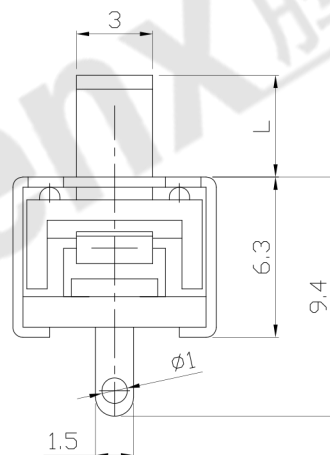
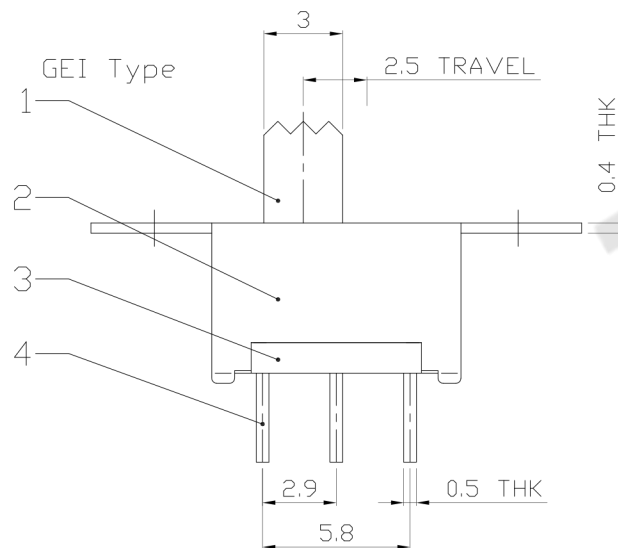
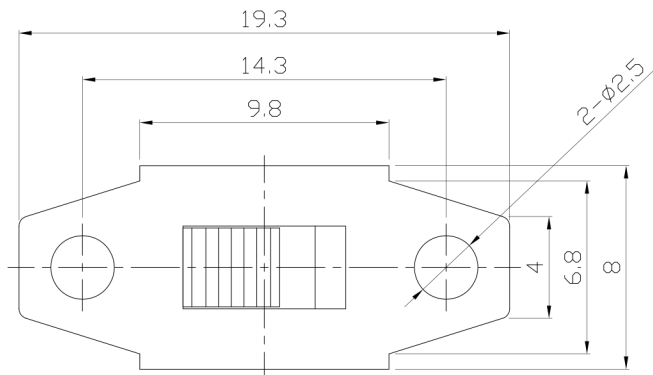




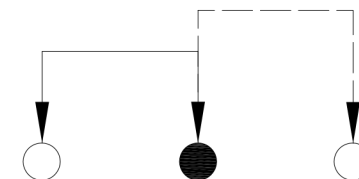
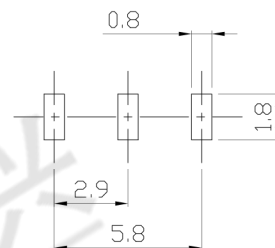
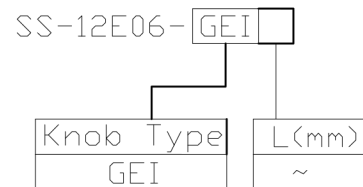
RoHS Compliant
2002/95/EC

REV.	ECN. NO.	APPD.

DIMENSIONS



MODEL CODE



P.C.B LAYOUT
BOTTOM VIEW

CIRCUIT DIAGRAM

ELECTRO-MECHANICAL CHARACTERISTICS

Refer to additional specifications

RATING	1A 250V AC / 2A 125V AC
CIRCUIT	1P2T
CONTACT RESISTANCE	100mΩ MAX.
TIMING	NON-SHORTING
TRAVEL	2.5mm
OPERATING FORCE	200±100gf
OPERATING LIFE(cycles)	10,000

8					WITHIN 1.5mm: ±0.1mm	UNITS mm	<p style="text-align: center;">东莞市腾兴电子有限公司</p> <table border="1"> <tr> <td>TITLE:</td> <td>SLIDE SWITCH / VERTICAL</td> <td>PART NO.:</td> <td>SS-12E06</td> </tr> <tr> <td>DR:</td> <td>Ricky 2016/02/17</td> <td>DWG NO.:</td> <td>ADL-12E06</td> </tr> <tr> <td>CHKD:</td> <td>Ricky 2016/02/17</td> <td>SCALE</td> <td>SHEET</td> </tr> <tr> <td>APPD:</td> <td></td> <td>REV.</td> <td>CUSTOMER DRAWING</td> </tr> <tr> <td></td> <td></td> <td>3:1</td> <td>1/1</td> </tr> <tr> <td></td> <td></td> <td>A</td> <td></td> </tr> </table>	TITLE:	SLIDE SWITCH / VERTICAL	PART NO.:	SS-12E06	DR:	Ricky 2016/02/17	DWG NO.:	ADL-12E06	CHKD:	Ricky 2016/02/17	SCALE	SHEET	APPD:		REV.	CUSTOMER DRAWING			3:1	1/1			A	
TITLE:	SLIDE SWITCH / VERTICAL	PART NO.:	SS-12E06																												
DR:	Ricky 2016/02/17	DWG NO.:	ADL-12E06																												
CHKD:	Ricky 2016/02/17	SCALE	SHEET																												
APPD:		REV.	CUSTOMER DRAWING																												
		3:1	1/1																												
		A																													
7	STEEL BALL	STEEL	1	NATURAL	OVER 1.5mm: ±0.2mm	MAT'L																									
6	SPRING	STEEL WIRE	1	NATURAL		SEE NOTE																									
5	CONTACT	COPPER STRIP	1	Ag PLATED		FINISH																									
4	TERMINAL	BRASS STRIP	3	Ag PLATED		SEE NOTE																									
3	BASE	PHENOLIC RESIN	1	BLACK		Q'TY																									
2	FRAME	STEEL STRIP	1	Ni PLATED																											
1	KNOB	9T	1	BLACK																											
NO.	PARTS	MATERIAL	Q'TY	FINISHING																											

THESE DRAWINGS AND SPECIFICATIONS ARE THE PROPERTY OF ACCURATE INNOVATECH INC AND SHALL NOT BE REPRODUCED, COPIED OR USED IN ANY MANNER WITHOUT THE PRIOR WRITTEN CONSENT OF ACCURATE INNOVATECH INC.

