



RoHS
Compliant
2002/95/EC

REV.	ECN. NO.	APPD.

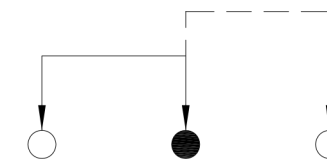
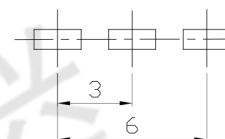
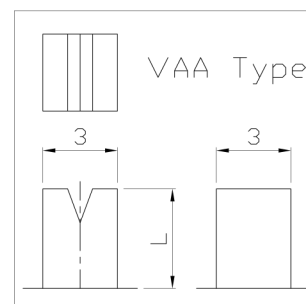
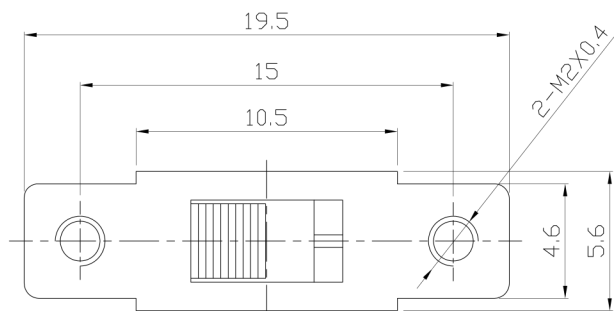
MODEL CODE

SS-12F16-GBG

Knob Type
GBG
VAA

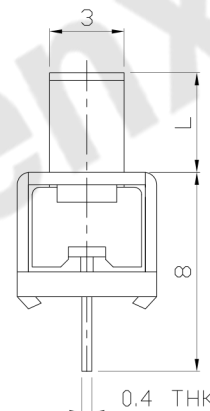
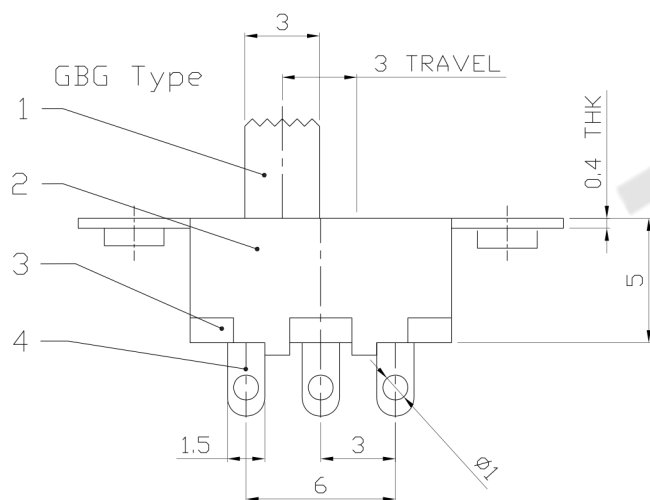
L(mm)
~

DIMENSIONS



P.C.B LAYOUT
BOTTOM VIEW

CIRCUIT DIAGRAM



ELECTRO-MECHANICAL CHARACTERISTICS

Refer to additional specifications

RATING	0.5A 50V DC
CIRCUIT	1P2T
CONTACT RESISTANCE	100mΩ MAX.
TIMING	NON-SHORTING
TRAVEL	3mm
OPERATING FORCE	180±80gf
OPERATING LIFE(cycles)	10,000

NO.	PARTS	MATERIAL	Q'TY	FINISHING
8				
7				WITHIN 1.5mm: ±0.1mm
6	SPRING	STEEL WIRE	1	NATURAL
5	CONTACT	BRASS STRIP	1	Ag PLATED
4	TERMINAL	BRASS STRIP	3	Ag PLATED
3	BASE	PHENOLIC RESIN	1	NATURAL
2	FRAME	STEEL STRIP	1	BLACK
1	KNOB	POM	1	BLACK
NO.	PARTS	MATERIAL	Q'TY	FINISHING

THESE DRAWINGS AND SPECIFICATIONS ARE THE PROPERTY OF ACCURATE INNOVATION INC AND SHALL NOT BE REPRODUCED, COPIED OR USED IN ANY MANNER WITHOUT THE PRIOR WRITTEN CONSENT OF ACCURATE INNOVATION INC.

UNITS mm			
OVER 1.5mm: ±0.2mm			
MAT'L SEE NOTE			
FINISH SEE NOTE			
Q'TY			
<div style="display: flex; justify-content: space-between;"> <div> <p>东 莞 市 腾 兴 电 子 有 限 公 司</p> <p>TITLE: SLIDE SWITCH / VERTICAL</p> <p>DR: Ricky 2015/07/08</p> <p>CHKD: Ricky 2015/07/08</p> <p>APPD:</p> </div> <div> <p>PART NO.: SS-12F16</p> <p>DWG NO.: ADL-12F16</p> <p>SCALE SHEET REV. CUSTOMER DRAWING</p> <p>3:1 1/1 A</p> </div> </div>			