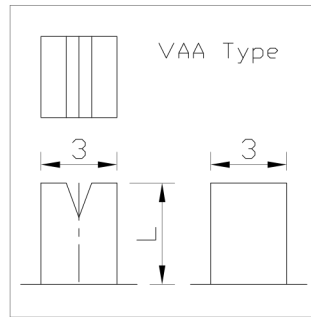
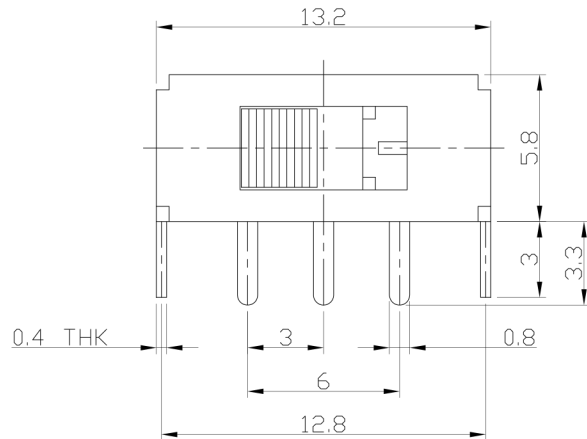




RoHS  
Compliant  
2002/95/EC

REV.	ECN. NO.	APPD.

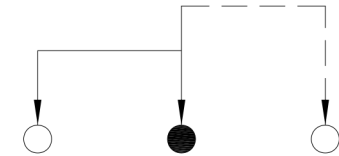
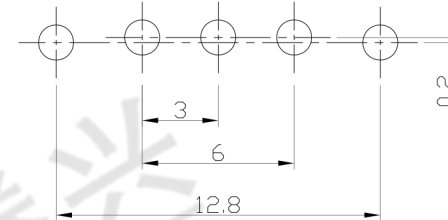
### DIMENSIONS



### MODEL CODE

SS-12F23-GBG

Knob Type	L(mm)
GBG	~
VAA	



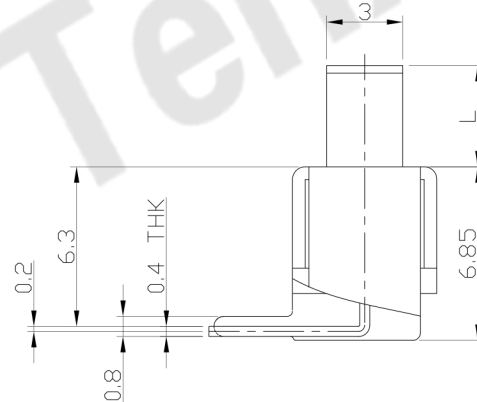
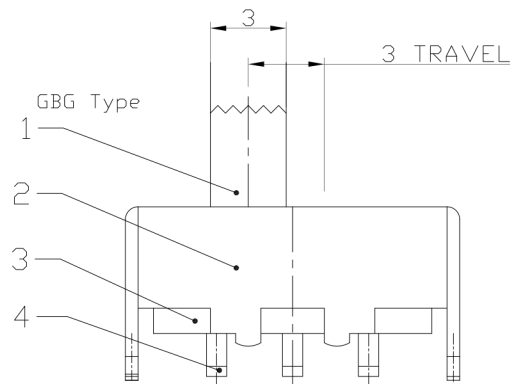
P.C.B LAYOUT  
BOTTOM VIEW

CIRCUIT DIAGRAM

### ELECTRO-MECHANICAL CHARACTERISTICS

Refer to additional specifications

RATING	0.5A 50V DC
CIRCUIT	1P2T
CONTACT RESISTANCE	100mΩ MAX.
TIMING	NON-SHORTING
TRAVEL	3mm
OPERATING FORCE	180±80gf
OPERATING LIFE(cycles)	10,000



NO.	PARTS	MATERIAL	Q'TY	FINISHING
8				
7				
6	SPRING	STEEL WIRE	1	NATURAL
5	CONTACT	BRASS STRIP	1	Ag PLATED
4	TERMINAL	BRASS STRIP	3	Ag PLATED
3	BASE	PHENOLIC RESIN	1	NATURAL
2	FRAME	STEEL STRIP	1	Ni PLATED
1	KNOB	POM	1	BLACK
NO.	PARTS	MATERIAL	Q'TY	FINISHING

WITHIN 1.5mm: ±0.1mm	UNITS mm
OVER 1.5mm: ±0.2mm	MAT'L
	SEE NOTE
	FINISH
	SEE NOTE
	Q'TY

THESE DRAWINGS AND SPECIFICATIONS ARE THE PROPERTY OF ACCURATE INNOVATION INC AND SHALL NOT BE REPRODUCED, COPIED OR USED IN ANY MANNER WITHOUT THE PRIOR WRITTEN CONSENT OF ACCURATE INNOVATION INC.

### 东莞市腾兴电子有限公司

TITLE: SLIDE SWITCH / VERTICAL	PART NO.: SS-12F23
DR: Ricky 2015/05/22	DWG NO.: ADL-12F23
CHKD: Ricky 2015/05/22	SCALE SHEET REV. CUSTOMER 3:1 1/1 A DRAWING
APPD:	