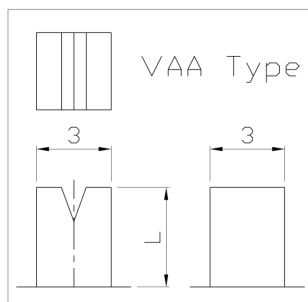
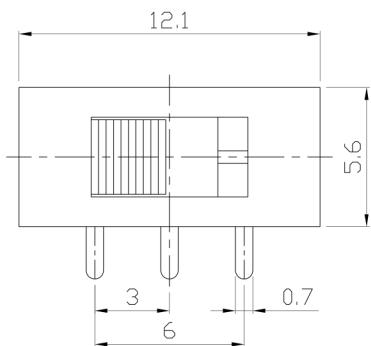




**RoHS Compliant**  
2002/95/EC

REV.	ECN. NO.	APPD.

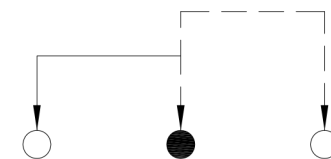
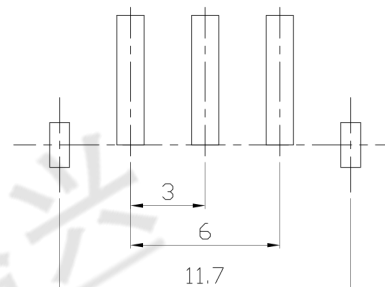
### DIMENSIONS



### MODEL CODE

SS-12F37-GBG

Knob Type	L(mm)
GBG	~
VAA	



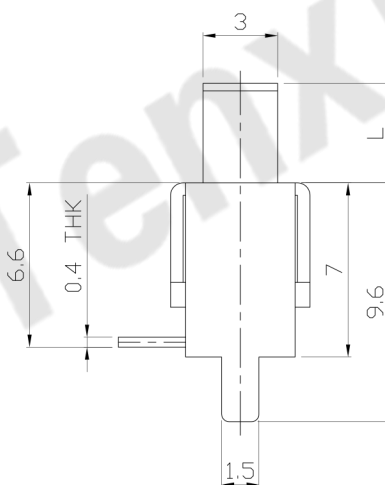
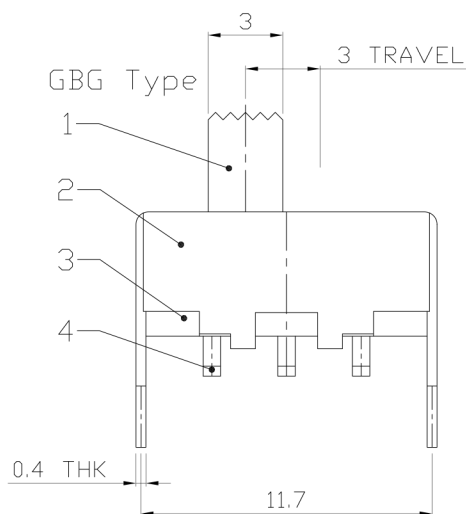
P.C.B LAYOUT  
BOTTOM VIEW

CIRCUIT DIAGRAM

### ELECTRO-MECHANICAL CHARACTERISTICS

Refer to additional specifications

RATING	0.5A 50V DC
CIRCUIT	1P2T
CONTACT RESISTANCE	100mΩ MAX.
TIMING	NON-SHORTING
TRAVEL	3mm
OPERATING FORCE	180±80gf
OPERATING LIFE(cycles)	10,000



WITHIN 1.5mm: ±0.1mm

OVER 1.5mm: ±0.2mm

UNITS mm

MAT'L

SEE NOTE

FINISH

SEE NOTE

Q'TY

SEE NOTE

APPD:

**东莞市腾兴电子有限公司**

TITLE: SLIDE SWITCH / VERTICAL

PART NO.: SS-12F37

DR: Ricky 2015/07/09

DWG NO.: ADL-12F37

CHKD: Ricky 2015/07/09

SCALE SHEET REV. CUSTOMER

APPD:

3:1 1/1 A

DRAWING

THESE DRAWINGS AND SPECIFICATIONS ARE THE PROPERTY OF ACCURATE INNO TECH INC AND SHALL NOT BE REPRODUCED, COPIED OR USED IN ANY MANNER WITHOUT THE PRIOR WRITTEN CONSENT OF ACCURATE INNO TECH INC.

NO.	PARTS	MATERIAL	Q'TY	FINISHING
8				
7				
6	SPRING	STEEL WIRE	1	NATURAL
5	CONTACT	BRASS STRIP	1	Ag PLATED
4	TERMINAL	BRASS STRIP	3	Ag PLATED
3	BASE	PHENOLIC RESIN	1	NATURAL
2	FRAME	STEEL STRIP	1	Ni PLATED
1	KNOB	POM	1	BLACK
NO.	PARTS	MATERIAL	Q'TY	FINISHING