



**RoHS Compliant**  
2002/95/EC

REV.	ECN. NO.	APPD.

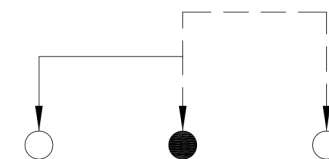
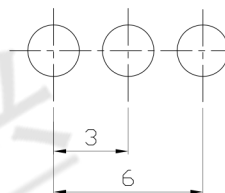
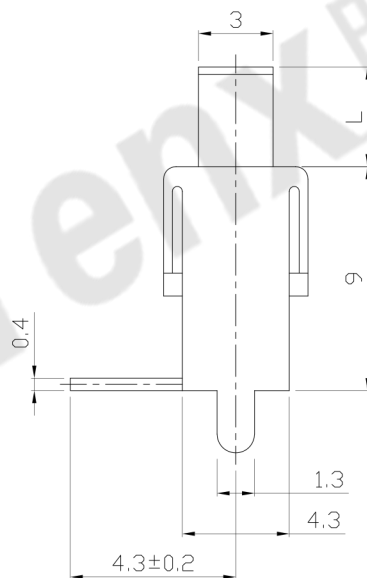
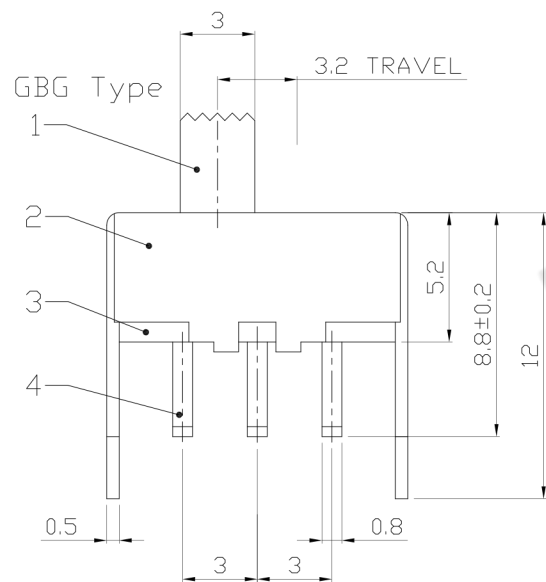
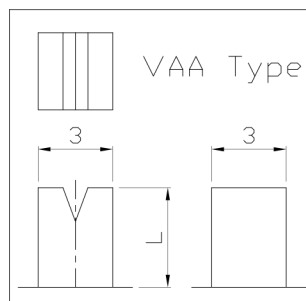
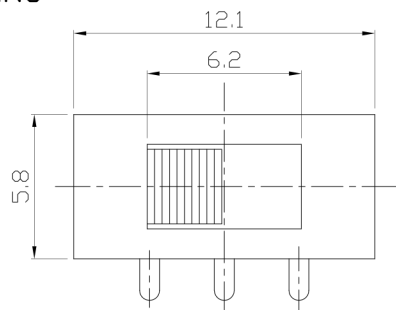
### MODEL CODE

SS-12F50-GBG

Knob Type
GBG
VAA

L(mm)
~

### DIMENSIONS



P.C.B LAYOUT  
BOTTOM VIEW

CIRCUIT DIAGRAM

### ELECTRO-MECHANICAL CHARACTERISTICS

Refer to additional specifications

RATING	0.5A 50V DC
CIRCUIT	1P2T
CONTACT RESISTANCE	100mΩ MAX.
TIMING	NON-SHORTING
TRAVEL	3.2mm
OPERATING FORCE	180±80gf
OPERATING LIFE(cycles)	10,000

8					
7					
6	CONTACT (CLIP)	P.B.S STRIP	1	Ag CLAD	WITHIN 1.5mm: ±0.1mm
5	SPRING	STEEL WIRE	1	Ni PLATED	OVER 1.5mm: ±0.2mm
4	TERMINAL	BRASS STRIP	3	Ag PLATED	
3	TERMINAL BASE	PHENOLIC RESIN	1	NATURAL	
2	FRAME	STEEL STRIP	1	Ni PLATED	
1	KNOB	POM	1	BLACK	
NO.	PARTS	MATERIAL	Q'TY	FINISHING	

THESE DRAWINGS AND SPECIFICATIONS ARE THE PROPERTY OF ACCURATE INNO TECH INC AND SHALL NOT BE REPRODUCED, COPIED OR USED IN ANY MANNER WITHOUT THE PRIOR WRITTEN CONSENT OF ACCURATE INNO TECH INC.

UNITS	mm	<b>东莞市腾兴电子有限公司</b>			
MAT'L	SEE NOTE				
FINISH	SEE NOTE	TITLE:	SLIDE SWITCH / VERTICAL		
Q'TY	SEE NOTE	DR:	Ricky 2015/07/13		
		CHKD:	Ricky 2015/07/13		
		APPD:			
		PART NO.:	SS-12F50		
		DWG NO.:	ADL-12F50		
		SCALE	SHEET	REV.	CUSTOMER DRAWING
		3:1	1/1	A	