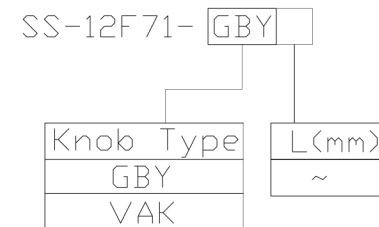




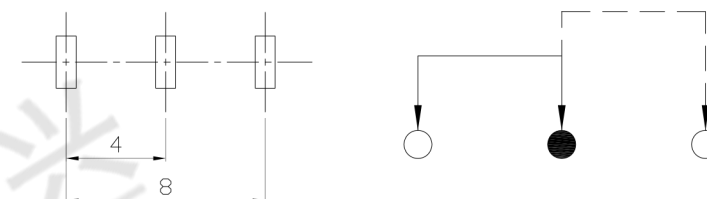
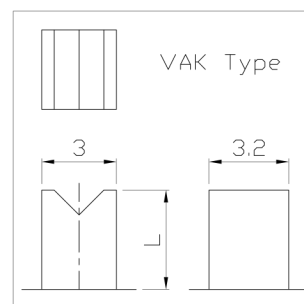
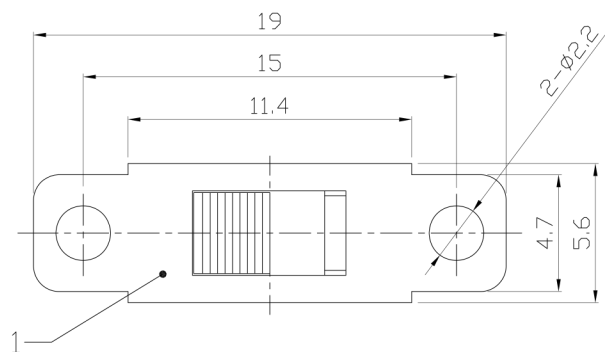
RoHS Compliant
2002/95/EC

REV.	ECN. NO.	APPD.

MODEL CODE



DIMENSIONS



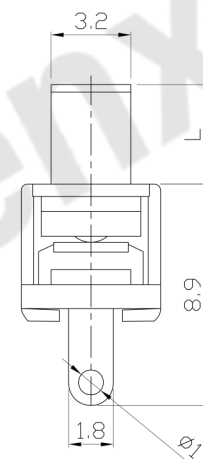
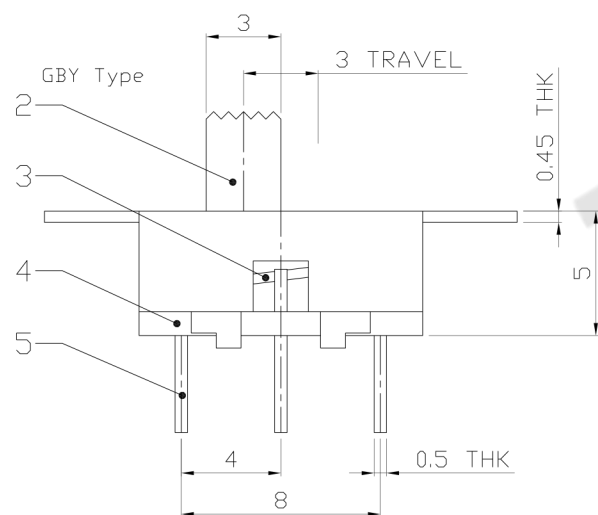
P.C.B LAYOUT
BOTTOM VIEW

CIRCUIT DIAGRAM

ELECTRO-MECHANICAL CHARACTERISTICS

Refer to additional specifications

RATING	0.5A 50V DC
CIRCUIT	1P2T
CONTACT RESISTANCE	30mΩ MAX.
TIMING	NON-SHORTING
TRAVEL	3mm
OPERATING FORCE	200±100gf
OPERATING LIFE(cycles)	10,000



NO.	PARTS	MATERIAL	Q'TY	FINISHING
8				WITHIN 1.5mm: ±0.1mm
7	SPRING	STEEL WIRE	1	NATURAL
6	STEEL BALL	STEEL	1	NATURAL
5	TERMINAL	BRASS STRIP	3	Ag PLATED OVER Ni PLATED
4	BASE	PHENOLIC RESIN	1	NATURAL
3	CONTACT	BRASS STRIP	1	Ag PLATED
2	KNOB	POM	1	BLACK
1	FRAME	STEEL STRIP	1	BLACK
				OVER 1.5mm: ±0.2mm

THESE DRAWINGS AND SPECIFICATIONS ARE THE PROPERTY OF ACCURATE INNOVATION INC AND SHALL NOT BE REPRODUCED, COPIED OR USED IN ANY MANNER WITHOUT THE PRIOR WRITTEN CONSENT OF ACCURATE INNOVATION INC.

UNITS	mm	东莞市腾兴电子有限公司						
	MAT'L					SEE NOTE		
FINISH	SEE NOTE	TITLE:	SLIDE SWITCH / VERTICAL					
	Q'TY	DR:	Ricky	2015/06/09	PART NO.:	SS-12F71		
APPD:		CHKD:	Ricky	2015/06/09	DWG NO.:	ADJ-12F71		
					SCALE	SHEET	REV.	CUSTOMER DRAWING
					3:1	1/1	A	