



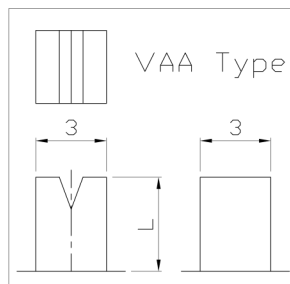
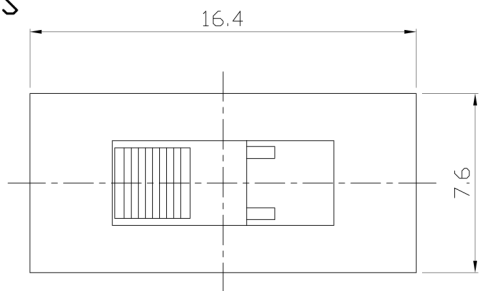
RoHS
Compliant
2002/95/EC

MODEL CODE

SS-12L04-GBG

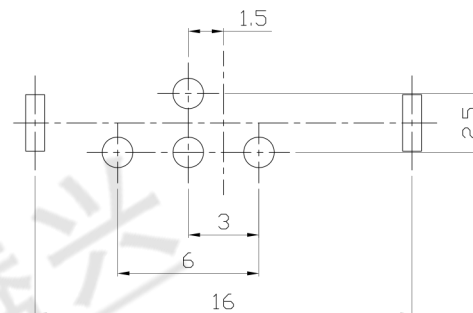
REV.	ECN.	NO.	APPD.

DIMENSIONS

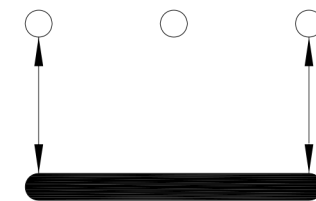


Knob Type
GBG
VAA

L(mm)
~



P.C.B LAYOUT
BOTTOM VIEW

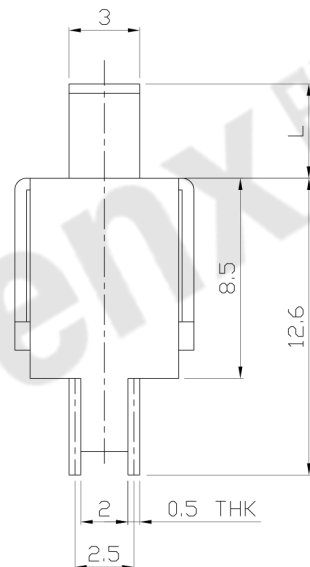
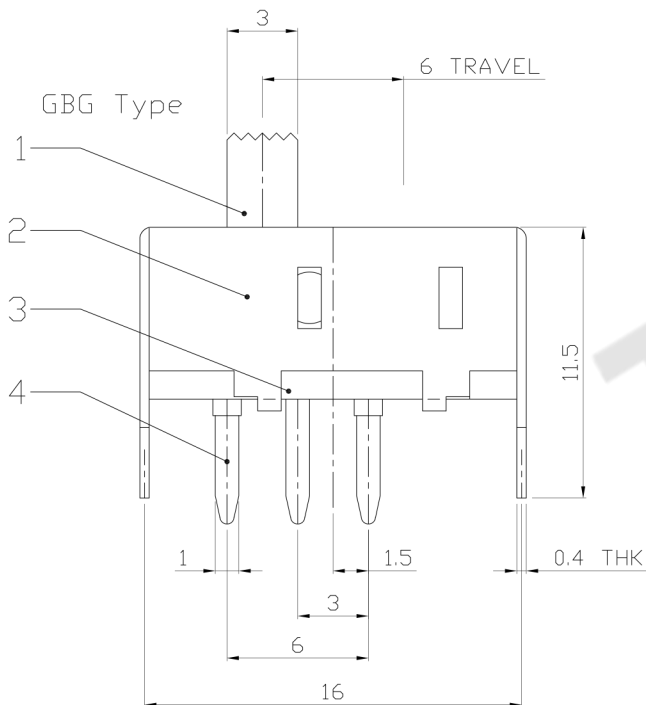


CIRCUIT DIAGRAM

ELECTRO-MECHANICAL CHARACTERISTICS

Refer to additional specifications

RATING	0.5A 50V DC
CIRCUIT	1P2T
CONTACT RESISTANCE	100mΩ MAX.
TIMING	NON-SHORTING
TRAVEL	6mm
OPERATING FORCE	250±100gf
OPERATING LIFE(cycles)	10,000



NO.	PARTS	MATERIAL	Q'TY	FINISHING
8				WITHIN 1.5mm: ±0.1mm
7	STEEL BALL	STEEL	2	NATURAL
6	SPRING	STEEL WIRE	2	NATURAL
5	CONTACT	BRASS STRIP	1	Ag PLATED
4	TERMINAL	BRASS STRIP	4	Ag PLATED
3	BASE	PHENOLIC RESIN	1	BLACK
2	FRAME	STEEL STRIP	1	Ni PLATED
1	KNOB	POM	1	BLACK
8				OVER 1.5mm: ±0.2mm

THESE DRAWINGS AND SPECIFICATIONS ARE THE PROPERTY OF ACCURATE INNOVATION INC AND SHALL NOT BE REPRODUCED, COPIED OR USED IN ANY MANNER WITHOUT THE PRIOR WRITTEN CONSENT OF ACCURATE INNOVATION INC.

UNITS mm				东莞市腾兴电子有限公司					
MAT'L SEE NOTE									
FINISH SEE NOTE				TITLE: SLIDE SWITCH / VERTICAL		PART NO.: SS-12L04			
Q'TY				DR: Ricky 2015/07/13		DWG NO.: ADL-12L04			
				CHKD: Ricky 2015/07/13		SCALE	SHEET	REV.	CUSTOMER DRAWING
				APPD:		5:2	1/1	A	