



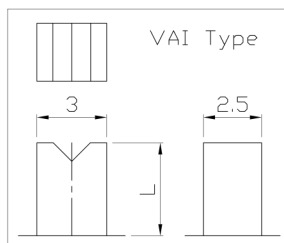
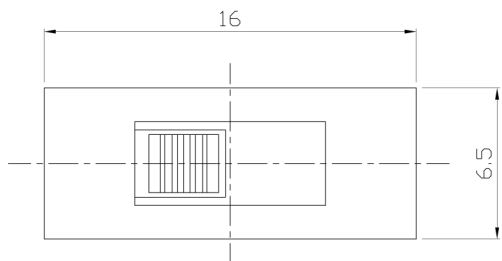
RoHS  
Compliant  
2002/95/EC

### MODEL CODE

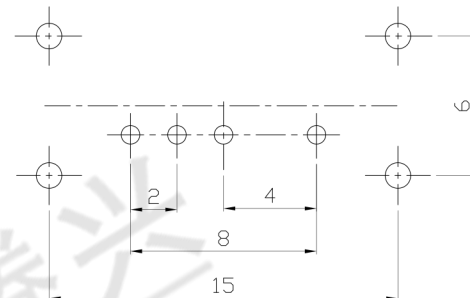
SS-13D13-GDV

REV.	ECN. NO.	APPD.

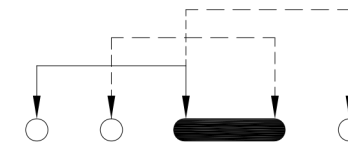
### DIMENSIONS



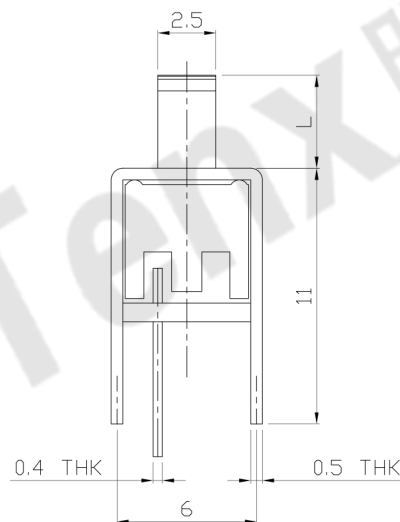
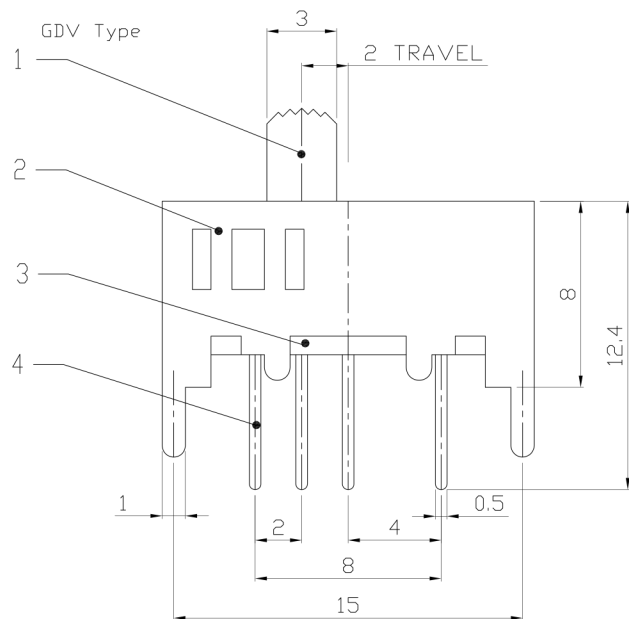
Knob Type	L(mm)
GDV	~
VAI	~



P.C.B LAYOUT  
BOTTOM VIEW



CIRCUIT DIAGRAM



### ELECTRO-MECHANICAL CHARACTERISTICS

Refer to additional specifications

RATING	0.3A 50V DC
CIRCUIT	1P3T
CONTACT RESISTANCE	30mΩ MAX.
TIMING	SHORTING
TRAVEL	2mm
OPERATING FORCE	<T1→T2,T3→T2>200±100gf
	<T2→T3,T2→T1>250±100gf
OPERATING LIFE(cycles)	10,000

NO.	PARTS	MATERIAL	Q'TY	FINISHING
8				
7	STEEL BALL	STEEL	1	NATURAL
6	SPRING	STEEL WIRE	1	TEMPER
5	CONTACT CLIP	PBS STRIP	1	Ag PLATED
4	TERMINAL	BRASS STRIP	4	Ag PLATED OVER Ni PLATED
3	BASE	PHENOLIC RESIN	1	NATURAL
2	FRAME	STEEL STRIP	1	Ni PLATED
1	KNOB	PDM	1	BLACK
NO.	PARTS	MATERIAL	Q'TY	FINISHING

THESE DRAWINGS AND SPECIFICATIONS ARE THE PROPERTY OF ACCURATE INNOVATION INC AND SHALL NOT BE REPRODUCED, COPIED OR USED IN ANY MANNER WITHOUT THE PRIOR WRITTEN CONSENT OF ACCURATE INNOVATION INC.

WITHIN 1.5mm: ±0.1mm	UNITS	mm	东莞市腾兴电子有限公司				
OVER 1.5mm: ±0.2mm	MAT'L	SEE NOTE					
	FINISH	SEE NOTE	TITLE:	SLIDE SWITCH / VERTICAL			
	Q'TY		DR:	Ricky 2015/06/10			
			CHKD:	Ricky 2015/06/10			
			APPD:		PART NO.:	SS-13D13	
					DWG NO.:	ADJ-13D13	
				SCALE	SHEET	REV.	CUSTOMER DRAWING
				3:1	1/1	A	