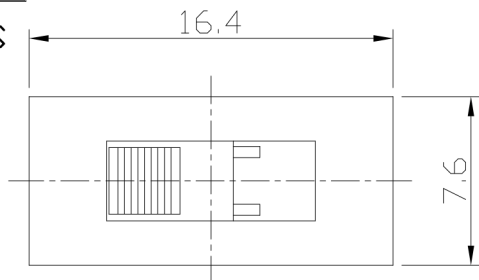




RoHS
Compliant
2002/95/EC

REV.	ECN. NO.	APPD.

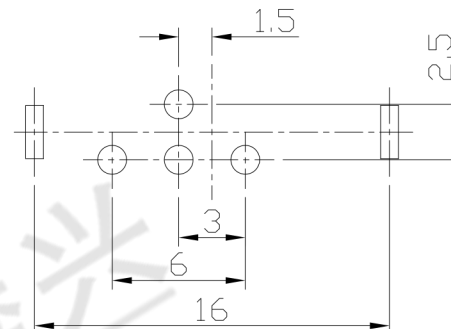
DIMENSIONS



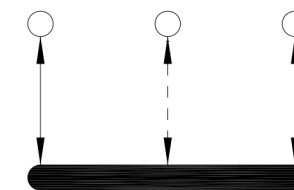
MODEL CODE

SS-13F03-GBG

Knob Type	L(mm)
GBG	~



P.C.B LAYOUT
BOTTOM VIEW

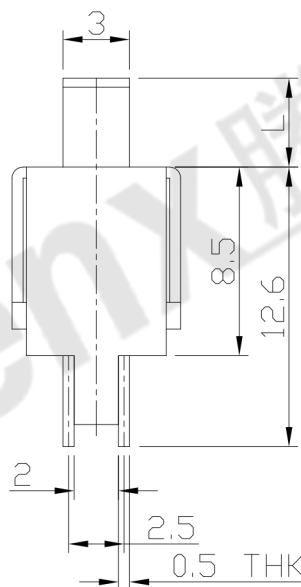
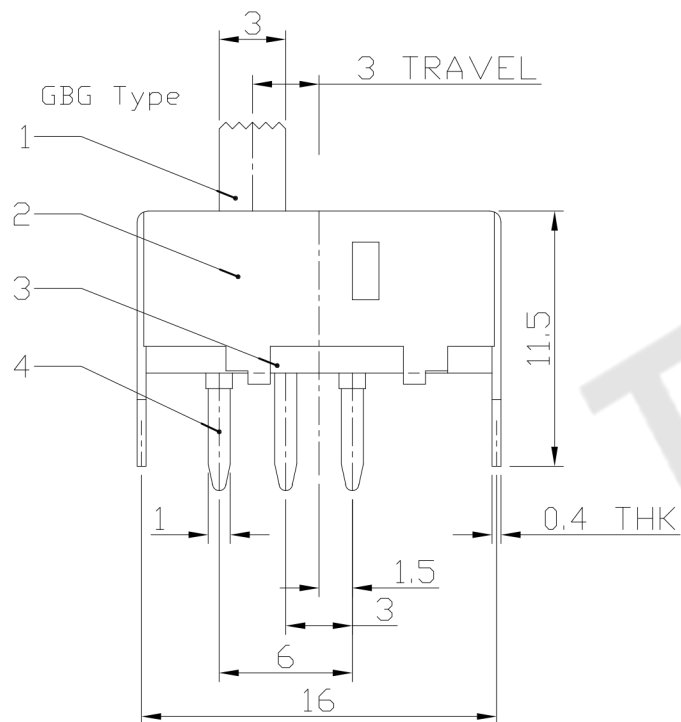


CIRCUIT DIAGRAM

ELECTRO-MECHANICAL CHARACTERISTICS

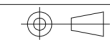
Refer to additional specifications

RATING	0.5A 50V DC
CIRCUIT	1P3T
CONTACT RESISTANCE	100mΩ MAX.
TIMING	SHORTING
TRAVEL	3mm
OPERATING FORCE	300±100gf
OPERATING LIFE(cycles)	10,000



8					WITHIN 1.5mm: ±0.1mm	UNITS	mm
7	STEEL BALL	STEEL	2	NATURAL	OVER 1.5mm: ±0.2mm	MAT'L	
6	SPRING	STEEL WIRE	2	NATURAL		SEE NOTE	
5	CONTACT	BRASS STRIP	1	Ag PLATED		FINISH	
4	TERMINAL	BRASS STRIP	4	Ag PLATED		SEE NOTE	
3	BASE	PHENOLIC RESIN	1	BLACK		Q'TY	
2	FRAME	STEEL STRIP	1	Ni PLATED			
1	KNOB	POM	1	BLACK			
NO.	PARTS	MATERIAL	Q'TY	FINISHING			

THESE DRAWINGS AND SPECIFICATIONS ARE THE PROPERTY OF ACCURATE INNOVATECH INC AND SHALL NOT BE REPRODUCED, COPIED OR USED IN ANY MANNER WITHOUT THE PRIOR WRITTEN CONSENT OF ACCURATE INNOVATECH INC.



东莞市腾兴电子有限公司

TITLE:	SLIDE SWITCH / VERTICAL	PART NO.:	SS-13F03
DR:	Ricky 2015/07/14	DWG NO.:	ADL-13F03
CHKD:	Ricky 2015/07/14	SCALE	SHEET
APPD:		5:2	1/1
		REV.	CUSTOMER DRAWING
		A	