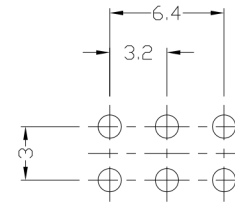
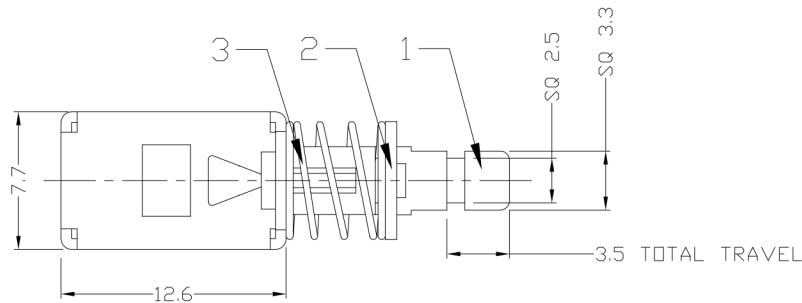




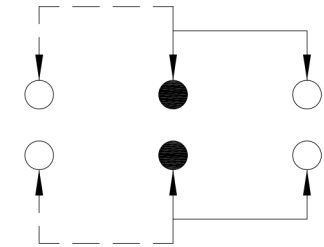
RoHS Compliant
2002/95/EC

REV.	ECN. NO.	APPD.

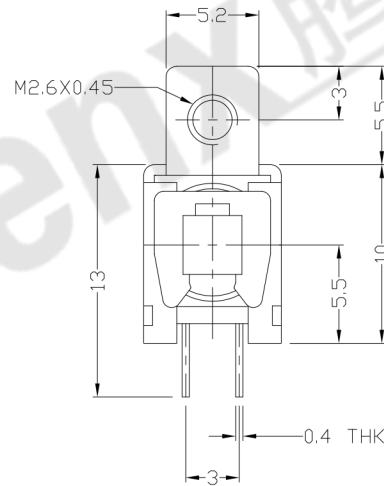
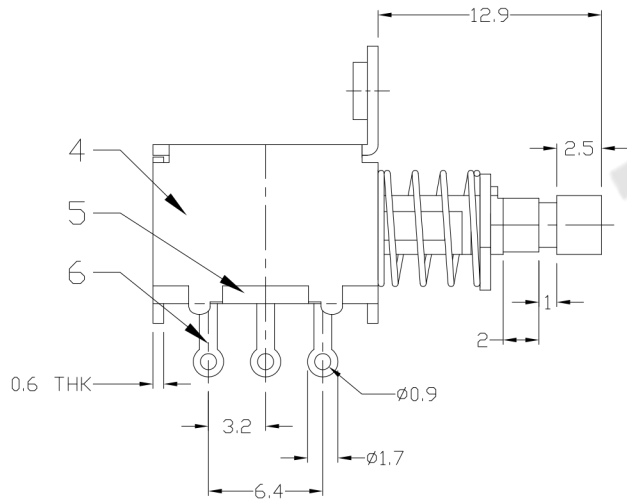
DIMENSIONS



P.C.B LAYOUT
BOTTOM VIEW



CIRCUIT DIAGRAM



ELECTRO-MECHANICAL CHARACTERISTICS

Refer to additional specifications

RATING	DC50V 0.3A
CIRCUIT	2P2T
CONTACT RESISTANCE	100mΩ MAX.
TIMING	NON-SHORTING
OPERATING MODE	NON-LOCK
STROKE	TOTAL 3.5mm
OPERATING FORCE	250±100gf
OPERATING LIFE<cycles>	10,000

8	SCREEN	STEEL STRIP	1	Ni PLATED
7	CONTACT CLIP	PBS STRIP	2	Ag PLATED
6	TERMINAL	BRASS STRIP	6	Ag PLATED
5	BASE	PHENOLIC RESIN	1	NATURAL
4	FRAME	STEEL STRIP	1	Ni PLATED
3	SPRING	STEEL WIRE	1	Ni PLATED
2	BLOCK	STEEL STRIP	1	Ni PLATED
1	KNOB	PA66	1	BLACK
NO.	PARTS	MATERIAL	Q'TY	FINISHING

WITHIN 1.5mm:±0.1mm	UNITS mm
OVER 1.5mm:±0.2mm	MAT'L
	SEE NOTE
	FINISH
	SEE NOTE
	Q'TY

东莞市腾兴电子有限公司

TITLE: PUSH SWITCH / HORIZONTAL	PART NO.: AP-22F17N
DR: <i>Ricky</i> 2015/03/31	DWG NO.: ADL-22F17
CHKD: <i>Ricky</i> 2015/03/31	SCALE SHEET REV. CUSTOMER DRAWING
APPD:	2:1 1/1 A

THESE DRAWINGS AND SPECIFICATIONS ARE THE PROPERTY OF ACCURATE INNOTECH INC AND SHALL NOT BE REPRODUCED, COPIED OR USED IN ANY MANNER WITHOUT THE PRIOR WRITTEN CONSENT OF ACCURATE INNOTECH INC.