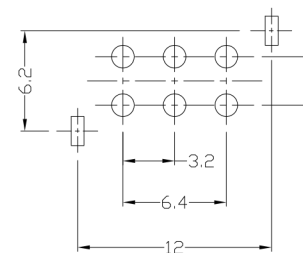
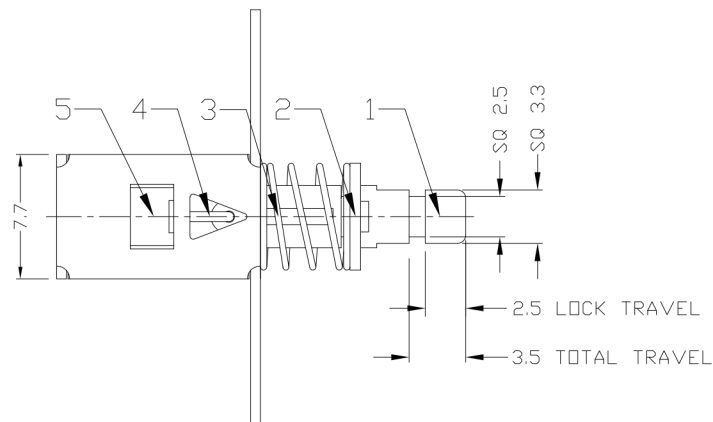




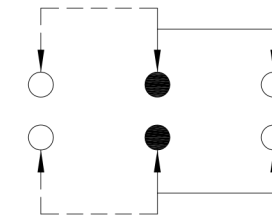
**RoHS Compliant**  
2002/95/EC

REV.	ECN.	NO.	APPD.

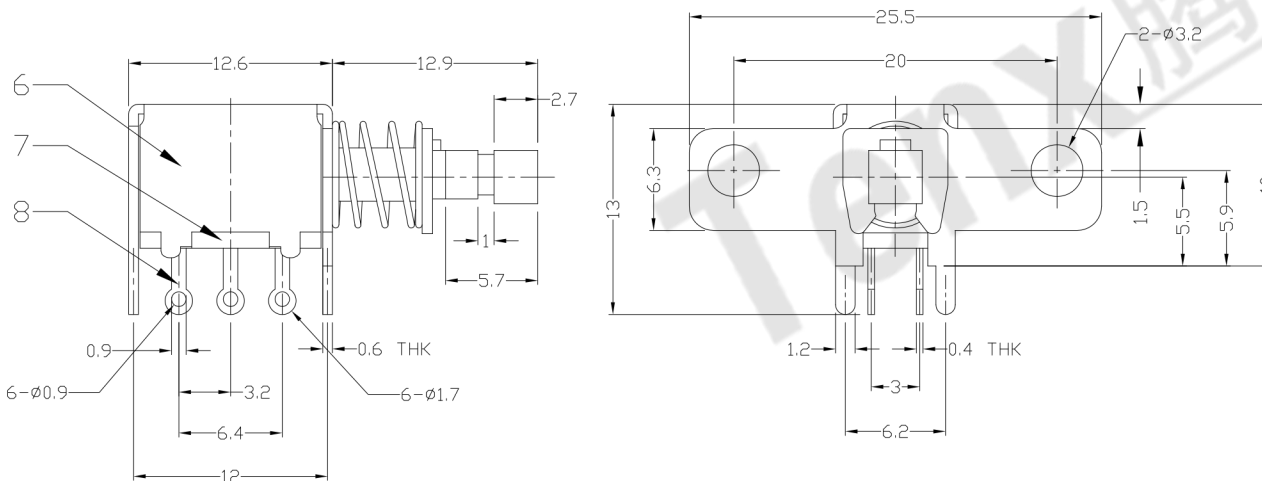
### DIMENSIONS



P.C.B LAYOUT  
BOTTOM VIEW



CIRCUIT DIAGRAM



### ELECTRO-MECHANICAL CHARACTERISTICS

Refer to additional specifications

RATING	DC50V 0.3A	
CIRCUIT	2P2T	
CONTACT RESISTANCE	100mΩ MAX.	
TIMING	NON-SHORTING	
OPERATING MODE	SELF-LOCK	AP-22F26L
	NON-LOCK	AP-22F32N
STROKE	TOTAL 3.5mm	LOCK 2.5mm
OPERATING FORCE	250±100gf	
OPERATING LIFE(cycles)	10,000	

9	CONTACT CLIP	PBS STRIP	2	Ag PLATED
8	TERMINAL	BRASS STRIP	6	Ag PLATED
7	BASE	PHENOLIC RESIN	1	NATURAL
6	FRAME	STEEL STRIP	1	Ni PLATED
5	SPRING PLATE	PBS STRIP	1	NATURAL
4	CAM STICK	PBS WIRE	1	NATURAL
3	SPRING	STEEL WIRE	1	Ni PLATED
2	BLOCK	STEEL STRIP	1	Ni PLATED
1	KNOB	PA66	1	BLACK
NO.	PARTS	MATERIAL	Q'TY	FINISHING

WITHIN 1.5mm:±0.1mm  
OVER 1.5mm:±0.2mm

THESE DRAWINGS AND SPECIFICATIONS ARE THE PROPERTY OF ACCURATE INNO TECH INC AND SHALL NOT BE REPRODUCED, COPIED OR USED IN ANY MANNER WITHOUT THE PRIOR WRITTEN CONSENT OF ACCURATE INNO TECH INC.

UNITS mm  
MAT'L SEE NOTE  
FINISH SEE NOTE  
Q'TY

**东莞市腾兴电子有限公司**

TITLE: PUSH SWITCH / HORIZONTAL	PART NO.: AP-22F26L & AP-22F32N
DR: Ricky 2015/03/31	DWG NO.: ADL-22F2632
CHKD: Ricky 2015/03/31	SCALE SHEET REV. CUSTOMER 2:1 1/1 A DRAWING
APPD:	