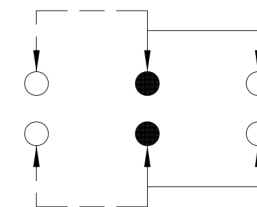
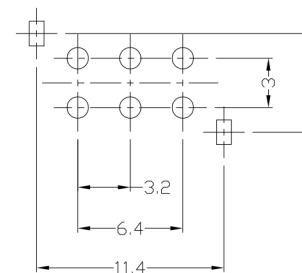
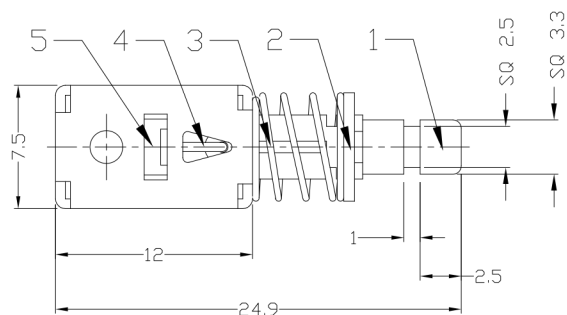




**RoHS Compliant**  
2002/95/EC

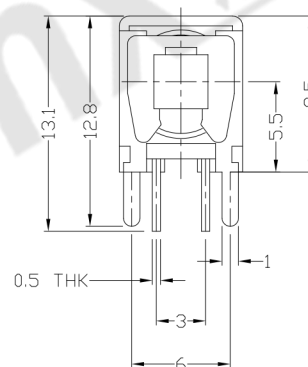
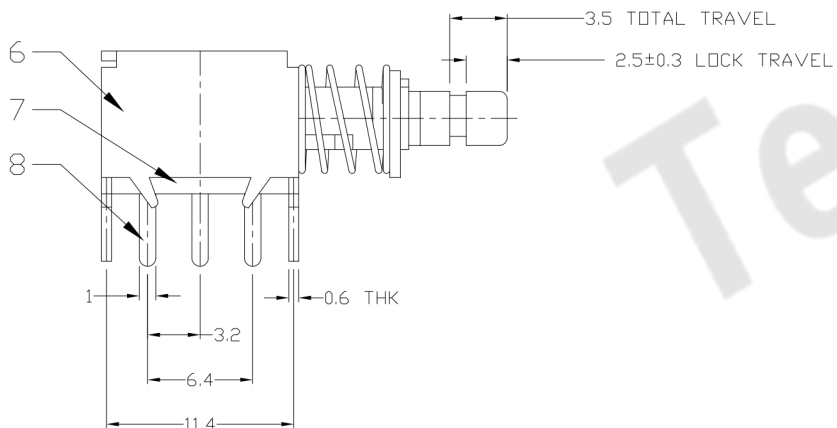
REV.	ECN. NO.	NO.	APPD.

### DIMENSIONS



P.C.B LAYOUT  
BOTTOM VIEW

CIRCUIT DIAGRAM



### ELECTRO-MECHANICAL CHARACTERISTICS

Refer to additional specifications

RATING	DC12V 3A	
CIRCUIT	2P2T	
CONTACT RESISTANCE	100mΩ MAX.	
TIMING	NON-SHORTING	
OPERATING MODE	SELF-LOCK	
STROKE	TOTAL 3.5mm	LOCK 2.5mm±0.3
OPERATING FORCE	250±100gf	
OPERATING LIFE(cycles)	10,000	

9	CONTACT CLIP	PBS C5210R-EH	2	Ag PLATED
8	TERMINAL	BRASS STRIP	6	Ag PLATED OVER Ni PLATED
7	BASE	PHENOLIC RESIN	1	NATURAL
6	FRAME	STEEL STRIP	1	Ni PLATED
5	SPRING PLATE	PBS STRIP	1	NATURAL
4	CAM STICK	PBS WIRE	1	NATURAL
3	SPRING	STEEL WIRE	1	Ni PLATED
2	BLOCK	STEEL STRIP	1	Ni PLATED
1	KNOB	NYLON+F.G+94V0	1	BLACK
NO.	PARTS	MATERIAL	Q'TY	FINISHING

WITHIN 1.5mm:±0.1mm  
OVER 1.5mm:±0.2mm

THESE DRAWINGS AND SPECIFICATIONS ARE THE PROPERTY OF ACCURATE INNO TECH INC AND SHALL NOT BE REPRODUCED, COPIED OR USED IN ANY MANNER WITHOUT THE PRIOR WRITTEN CONSENT OF ACCURATE INNO TECH INC.

UNITS mm  
MAT'L SEE NOTE  
FINISH SEE NOTE  
Q'TY

**东莞市腾兴电子有限公司**

TITLE: PUSH SWITCH / HORIZONTAL	PART NO.: AP-22F43L
DR: Ricky 2015/04/02	DWG NO.: ADL-22F43
CHKD: Ricky 2015/04/02	SCALE SHEET REV. CUSTOMER DRAWING
APPD:	2:1 1/1 A