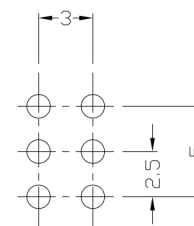
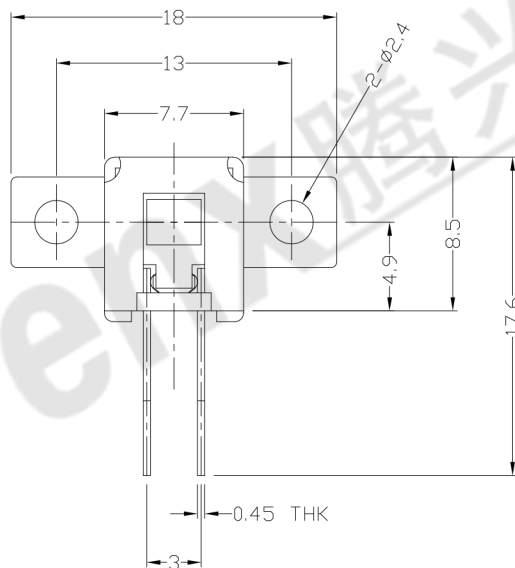
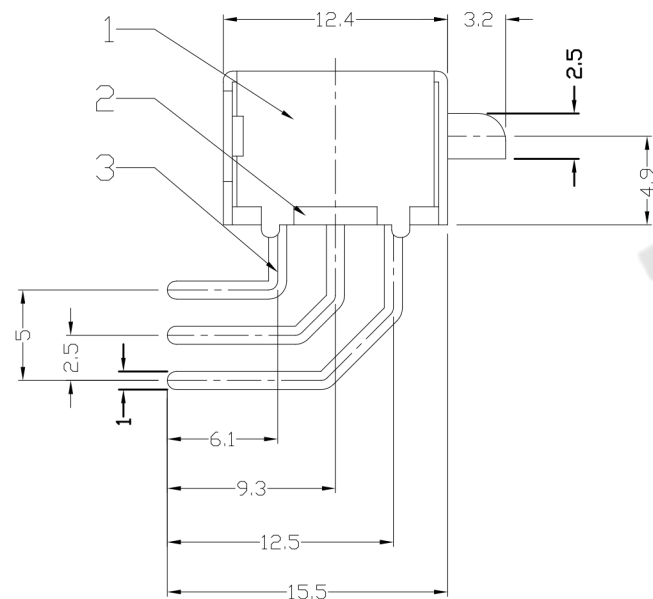
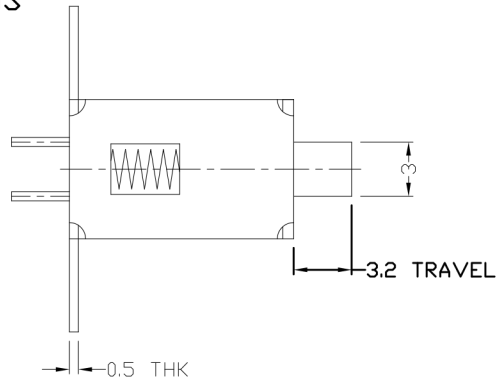




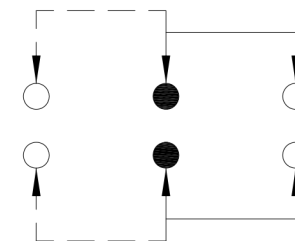
**RoHS Compliant**  
2002/95/EC

REV.	ECN. NO.	APPD.

### DIMENSIONS



P.C.B LAYOUT  
BOTTOM VIEW



CIRCUIT DIAGRAM

### ELECTRO-MECHANICAL CHARACTERISTICS

Refer to additional specifications

RATING	DC50V 0.3A
CIRCUIT	2P2T
CONTACT RESISTANCE	100mΩ MAX.
TIMING	NON-SHORTING
OPERATING MODE	NON-LOCK
STROKE	FULL 3.2mm
OPERATING FORCE	100±30gf
OPERATING LIFE(cycles)	10,000

8				
7				
6	SPRING	STEEL WIRE	1	NATURAL
5	KNOB	POM	1	BLACK
4	CONTACT CLIP	PBS STRIP	2	Ag PLATED
3	TERMINAL	BRASS STRIP	6	Ag PLATED
2	BASE	PHENOLIC RESIN	1	NATURAL
1	FRAME	STEEL STRIP	1	Ni PLATED
NO.	PARTS	MATERIAL	Q'TY	FINISHING

WITHIN 1.5mm:±0.1mm  
OVER 1.5mm:±0.2mm

THESE DRAWINGS AND SPECIFICATIONS ARE THE PROPERTY OF ACCURATE INNO TECH INC AND SHALL NOT BE REPRODUCED, COPIED OR USED IN ANY MANNER WITHOUT THE PRIOR WRITTEN CONSENT OF ACCURATE INNO TECH INC.

UNITS mm  
MAT'L SEE NOTE  
FINISH SEE NOTE  
Q'TY

**东莞市腾兴电子有限公司**

TITLE: PUSH SWITCH / HORIZONTAL      PART NO.: AP-22F94N

DR: Ricky 2015/04/02      DWG NO.: ADL-22F94

CHKD: Ricky 2015/04/02

APPD:

SCALE	SHEET	REV.	CUSTOMER DRAWING
2:1	1/1	A	