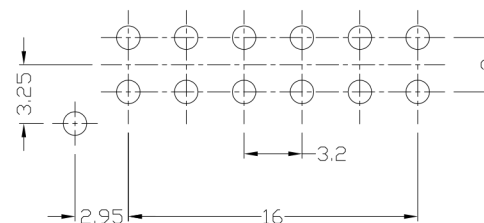
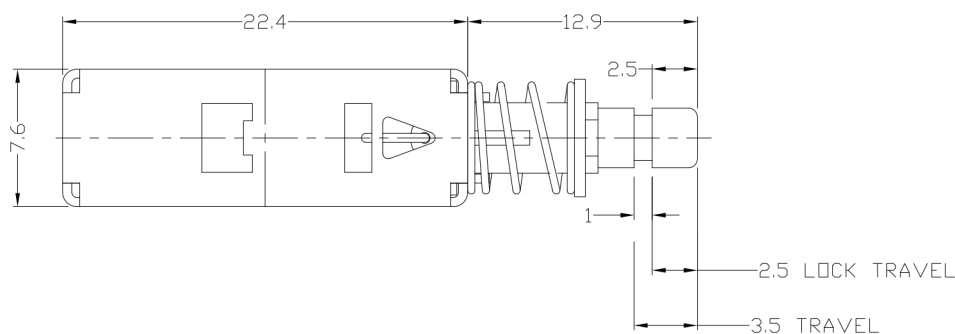




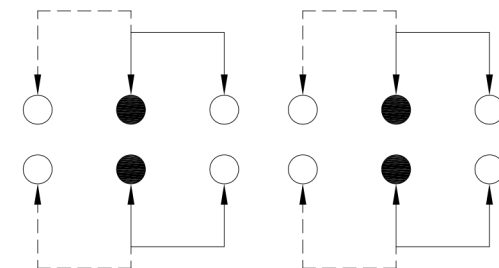
RoHS Compliant
2002/95/EC

REV.	ECN. NO.	APPD.

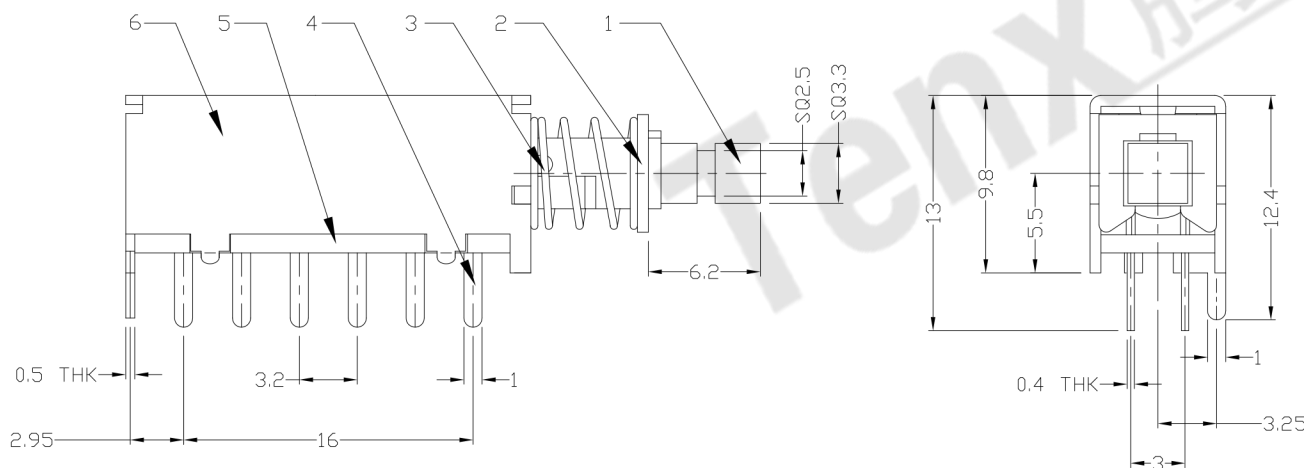
DIMENSIONS



P.C.B LAYOUT
BOTTOM VIEW



CIRCUIT DIAGRAM



ELECTRO-MECHANICAL CHARACTERISTICS

Refer to additional specifications

RATING	DC50V 0.3A	
CIRCUIT	4P2T	
CONTACT RESISTANCE	100mΩ MAX.	
TIMING	NON-SHORTING	
OPERATING MODE	SELF-LOCK	AP-42F 42L
	NON-LOCK	AP-42F 43N
STROKE	TOTAL 3.5mm	LOCK 2.5mm
OPERATING FORCE	350±100gf	
OPERATING LIFE(cycles)	10,000	

9	SPRING PLATE	PBS STRIP	1	NATURAL	WITHIN 1.5mm:±0.1mm	UNITS	mm																								
8	CAM STICK	BRASS WIRE	1	Ni PLATED	OVER 1.5mm:±0.2mm	MAT'L	SEE NOTE																								
7	CONTACT CLIP	PBS STRIP	4	Ag PLATED		FINISH	SEE NOTE																								
6	FRAME	STEEL STRIP	1	Ni PLATED	Q'TY	APPD:	<table border="1"> <tr> <td>TITLE:</td> <td>PUSH SWITCH / HORIZONTAL</td> <td>PART NO.:</td> <td>AP-42F 42L & AP-42F 43N</td> </tr> <tr> <td>DR:</td> <td>Ricky 2015/04/08</td> <td>DWG NO.:</td> <td>ADL-42F 4243</td> </tr> <tr> <td>CHKD:</td> <td>Ricky 2015/04/08</td> <td>SCALE</td> <td>2:1</td> </tr> <tr> <td>APPD:</td> <td></td> <td>SHEET</td> <td>1/1</td> </tr> <tr> <td></td> <td></td> <td>REV.</td> <td>A</td> </tr> <tr> <td></td> <td></td> <td>CUSTOMER DRAWING</td> <td></td> </tr> </table>	TITLE:	PUSH SWITCH / HORIZONTAL	PART NO.:	AP-42F 42L & AP-42F 43N	DR:	Ricky 2015/04/08	DWG NO.:	ADL-42F 4243	CHKD:	Ricky 2015/04/08	SCALE	2:1	APPD:		SHEET	1/1			REV.	A			CUSTOMER DRAWING	
TITLE:	PUSH SWITCH / HORIZONTAL	PART NO.:	AP-42F 42L & AP-42F 43N																												
DR:	Ricky 2015/04/08	DWG NO.:	ADL-42F 4243																												
CHKD:	Ricky 2015/04/08	SCALE	2:1																												
APPD:		SHEET	1/1																												
		REV.	A																												
		CUSTOMER DRAWING																													
5	BASE	PHENOLIC RESIN	1	NATURAL	<small>THESE DRAWINGS AND SPECIFICATIONS ARE THE PROPERTY OF ACCURATE INNOVATECH INC AND SHALL NOT BE REPRODUCED, COPIED OR USED IN ANY MANNER WITHOUT THE PRIOR WRITTEN CONSENT OF ACCURATE INNOVATECH INC.</small>																										
4	TERMINAL	BRASS STRIP	12	Ag PLATED																											
3	SPRING	STEEL WIRE	1	Ni PLATED																											
2	BLOCK	STEEL STRIP	1	Ni PLATED																											
1	KNOB	POM	1	BLACK																											
NO.	PARTS	MATERIAL	Q'TY	FINISHING																											

东莞市腾兴电子有限公司

