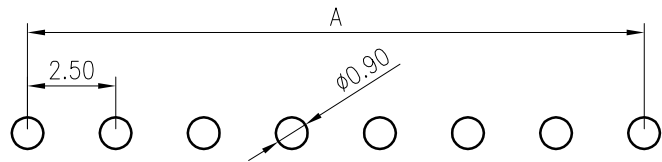
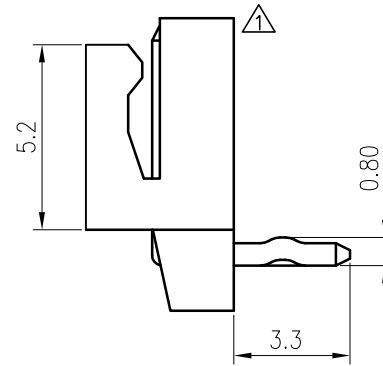
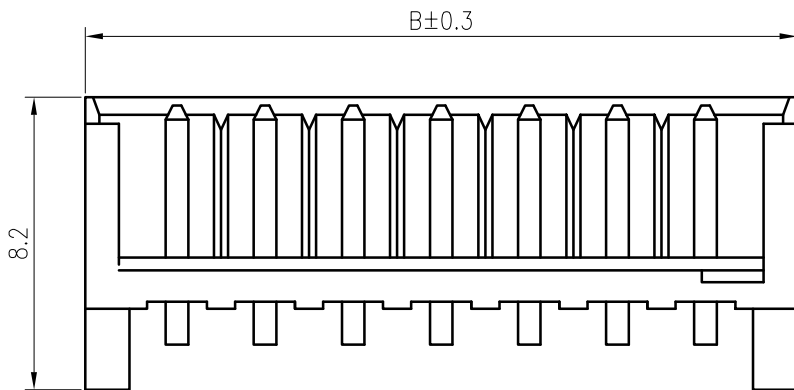
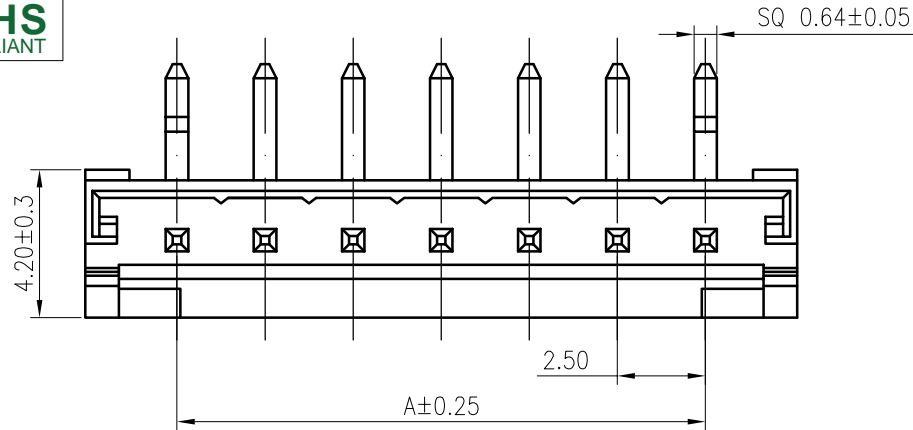


RoHS
COMPLIANT



Recommend P.C.B. LAYOUT

SPECIFICATIONS

1. Current rating: 3A AC, DC
2. Voltage rating: 250V AC,DC
3. Temperature range: -40°C ~ +105°C
4. Insulation resistance: 1000MΩ Min.
5. Withstanding voltage: 800V AC/ minute.
6. Contact resistance: 20mΩ Max.

Material:

Insulator: Nylon 66 UL 94V-0

Contact: Brass

Plating: Tin plated over Nickel

Mate with KR2504 series Housing

Ordering Code:

C2504RD *** 01 T01 01 PA

No.of Circuits
102:2,116:16

Circuits	Dimension	
	A	B
2	2.50	7.50
3	5.00	10.00
4	7.50	12.50
5	10.00	15.10
6	12.50	17.50
7	15.00	20.00
8	17.50	20.50
9	20.00	25.00
10	22.50	27.50
11	25.00	30.00
12	27.50	32.50
13	30.00	35.00
14	32.50	37.90
15	35.00	40.00
16	37.50	42.50

TOLERANCE

X.X ±0.30
X.XX ±0.20
X.XXX ±0.10
Angle ±2°

TITLE:
EH2.5 DIP 90°
Wafer

DRAWN: Liujingtian 2020.5.05

CHECKED:

APPROVED:

东莞市腾兴电子有限公司

PART NO.: C2504RD***01T0101PA

MARK REVISION DESCRIPTION SIGNATURE DATE UNIT: mm SCALE: N/A SHEET: 1/1 PROJECTION REV.: A2 DRAWING NO.: 2504WRD101-A-S

1 2 3 4 5 6 7 8 9