

RoHS
COMPLIANT

SPECIFICATIONS

1. Current rating: 3A AC, DC
2. Voltage rating: 125V AC,DC
3. Temperature range: -40°C ~ +105°C
4. Insulation resistance: 1000MΩ Min.
5. Withstanding voltage: 1000V AC/ minute.
6. Contact resistance: 20m Ω Max.

Material:

Insulator: PA66 UL 94V-0

Contact: Brass

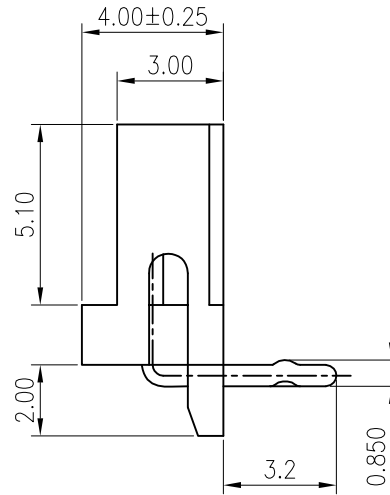
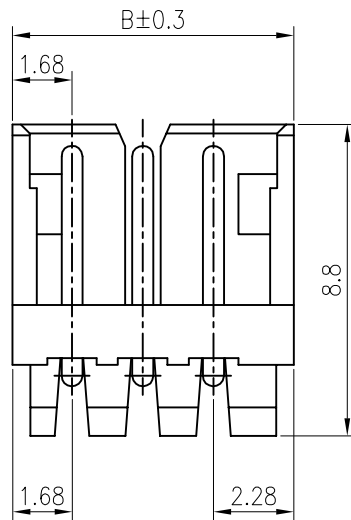
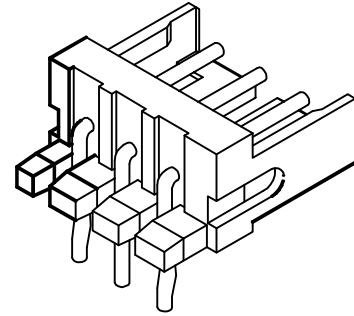
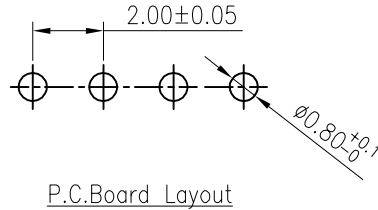
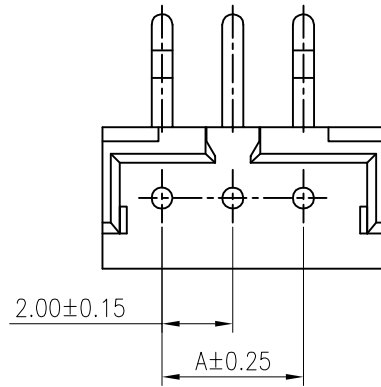
Plating: Tin plated over nickel

Mate with KR2008 series housing

Ordering Code:

C2008RD *** 01T0101PB

No.of Circuits
102:2,115:15



Circuits	Dimensions	
	A	B
2	2.00	5.96
3	4.00	7.96
4	6.00	9.96
5	8.00	11.96
6	10.00	13.96
7	12.00	15.96
8	14.00	17.96
9	16.00	19.96
10	18.00	21.96
11	20.00	23.96
12	22.00	25.96
13	24.00	27.96
14	26.00	29.96
15	28.00	31.96

TOLERANCE

X. X ±0.30
X. XX ±0.20
X. XXX ±0.10
Angle ±2°

TITLE:
AMP 2.0 DIP 90°
Wafer

DRAWN: Liujiangtian 2020.05.04

CHECKED:

APPROVED:

东莞市腾兴电子有限公司

PART NO.: C2008RD***01T0101PB

MARK REVISION DESCRIPTION SIGNATURE DATE UNIT: mm SCALE: N/A SHEET: 1/1 PROJECTION REV.: A2 DRAWING NO.: 2008WRD101-B-S

1 2 3 4 5 6 7 8 9