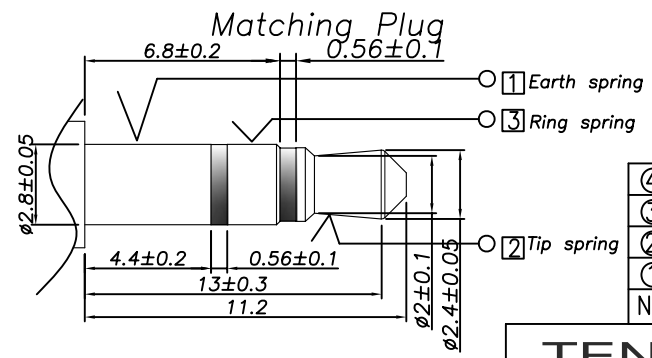


Specification:

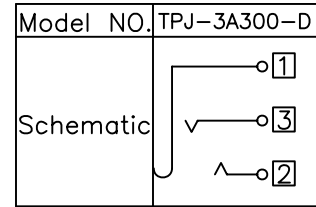
- Rating : DC 30V 0.5A;
- Contact resistance: $\leq 50m\Omega$;
After test: $\leq 100m\Omega$
- Insulation resistance: $\geq 100M\Omega$ (500VDC);
After test: $\geq 50M\Omega$
- Withstand voltage: 500VAC ;
- Insertion and extraction force: 3N~30N;
- life test: 5000cycles min;
- Operation temperature range: -20°C~70°C
- Preservative temperature range: -40°C~85°C

Sign "▲" is importance dimension.



Ordering information:
 TPJ-3A300-D □□ □□ □ 00 4
 (1) (2) (3) (4) (5) (6) (7)

(1): Series No
 (2): Schematic option: D
 (3): Material of housing: PB=PBT
 PC=PC 46=PA46 9T=PA9T
 (4): Housing color: 0A=Black
 1_=Brown 2_=Red 3_=Orange
 4_=Yellow 5_=Green 6_=Blue
 7_=Purple 8_=Gray 9_=White
 (5): Terminal plating
 S=Silver (Ag) G=Gold (Au)
 (6): Special option:
 00=No special option
 (7): Packing mode: 4=Bag packing



□: TERMINAL NO.

④	Ring spring	③	1	Phosphor bronze $\tau=0.2$	TPJ-3A300-03(TP2-611)	Silver/Gold plating
③	Tip spring	②	1	Brass $\tau=0.4$	TPJ-3A300-02(JA-JK0006)	Silver/Gold plating
②	Earthing spring	①	1	Phosphor bronze $\tau=0.2$	TPJ-3A300-01(TP1-612)	Silver/Gold plating
①	Housing		1	PC/PA46/PA9T/PBT	TPJ-3A300-S1(ST-610)	
NO.	DESCRIPTION		QTY	MATERIAL	PART NO.	PLATING

TENGXING ELECTRONICS CO.,LTD

TOLERANCES UNLESS OTHERWISE SPECIFIED LINEAR: ± 0.30 ANGULAR: $\pm 3^\circ$	SIGNATURES		DATE	TITLE			
	DRAWN	Amy	2006.10.12	EARPHONE JACK			
	CHK'D	Alex	2006.10.12	NO.			
REVISIONS	A	SCALE	5/1	APPV'D	Rex	2006.10.12	TPJ-3A300

△			
△			
△			
△			
△			
SYM	DISCIPTION	DATE	APPROVED
1			
2			
3			