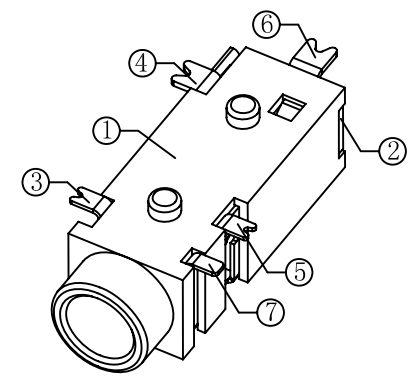


P. C. B Layout  
(Copper-sided view)

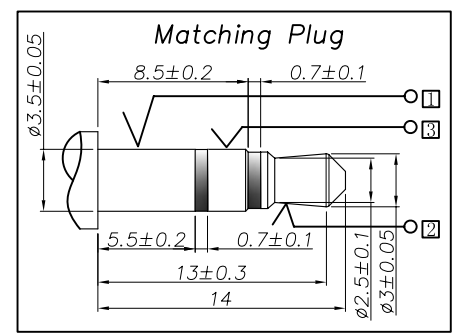


Ordering information:  
 TPJ-3A370 -     S 00 1  
 (1) (2) (3) (4) (5) (6) (7)

(1): Series No.  
 (2): Schematic option: A, B, C, D, F  
 (3): Material of housing:  
 9T=PA9T 46=PA46  
 (4): Housing color:  
 0A=Black 2L=Pink (701C=PA9T)  
 5V=Lime (577C=PA9T)  
 2L=Red (0211=PA46)  
 5V=Green (0212=PA46)  
 (5): Terminal plating:  
 S=Silver (Ag)  
 (6): Special option:  
 00=No special option  
 (7): Packing mode:  
 1=Tape reel packing

Specification:

- Rating : DC 30V 0.5A;
- Contact resistance:  $\leq 50m\Omega$ ;  
After test:  $\leq 100m\Omega$
- Insulation resistance:  $\geq 100M\Omega$  (500VDC);  
After test:  $\geq 50M\Omega$
- Withstand voltage: 500VAC ;
- Insertion and extraction force: 3N~30N;
- life test: 5000cycles min;
- Operation temperature range:  $-20^{\circ}C \sim 70^{\circ}C$ ;
- Preservation temperature range:  $-40^{\circ}C \sim 85^{\circ}C$ ;
- Sign"▲" is importance dimension;



| Model No. | TPJ-3A370-A | TPJ-3A370-B | TPJ-3A370-C | TPJ-3A370-D | TPJ-3A370-F |
|-----------|-------------|-------------|-------------|-------------|-------------|
| Schematic |             |             |             |             |             |

| ⑦   | Shunt terminal | ⑤   | 1        | Brass 0.2t           | TPJ-3A370-05 | Silver plating |
|-----|----------------|-----|----------|----------------------|--------------|----------------|
| ⑥   | Shunt terminal | ④   | 1        | Brass 0.3t           | TPJ-3A370-04 | Silver plating |
| ⑤   | Ring spring    | ③   | 1        | Stainless steel 0.2t | TPJ-3A370-01 | Silver plating |
| ④   | Tip spring     | ②   | 1        | Phosphor bronze 0.3t | TPJ-3A370-02 | Silver plating |
| ③   | Earth spring   | ①   | 1        | Stainless steel 0.2t | TPJ-3A370-01 | Silver plating |
| ②   | Cover          |     | 1        | PA9T,UL94 V-0        | TPJ-3A370-S2 |                |
| ①   | Housing        |     | 1        | PA9T/PA46,UL94 V-0   | TPJ-3A370-S1 |                |
| NO. | DESCRIPTION    | QTY | MATERIAL | PART NO.             | REMARK       |                |

## TENGXING ELECTRONICS CO.,LTD

| TOLERANCES UNLESS OTHERWISE SPECIFIED |                          | SIGNATURES |             | DATE       | TITLE         |
|---------------------------------------|--------------------------|------------|-------------|------------|---------------|
| LINEAR: $\pm 0.1$                     | ANGULAR: $\pm 3^{\circ}$ | DRAWN      | <b>Eric</b> | 2007.10.18 | EARPHONE JACK |
| REVISIONS                             | SCALE                    | CHK'D      | <b>Alex</b> | 2007.10.18 | NO.           |
| A                                     | 5/1                      | APPV'D     | <b>Rex</b>  | 2007.10.18 | TPJ-3A370     |

| △   |            |      |          |
|-----|------------|------|----------|
| △   |            |      |          |
| △   |            |      |          |
| △   |            |      |          |
| △   |            |      |          |
| SYM | DISCIPTION | DATE | APPROVED |
| 1   |            |      |          |
| 2   |            |      |          |
| 3   |            |      |          |
| 4   |            |      |          |
| 5   |            |      |          |