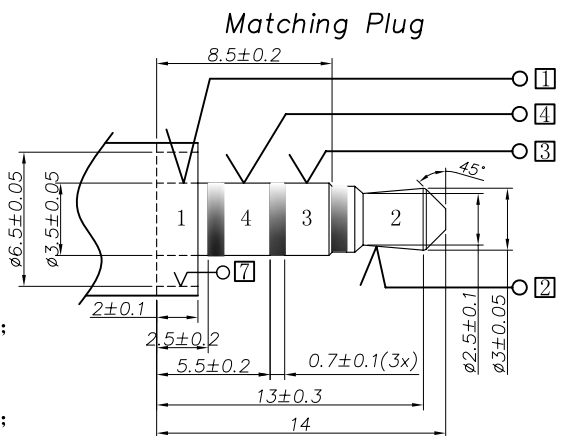
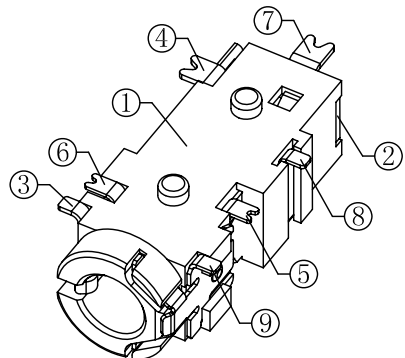
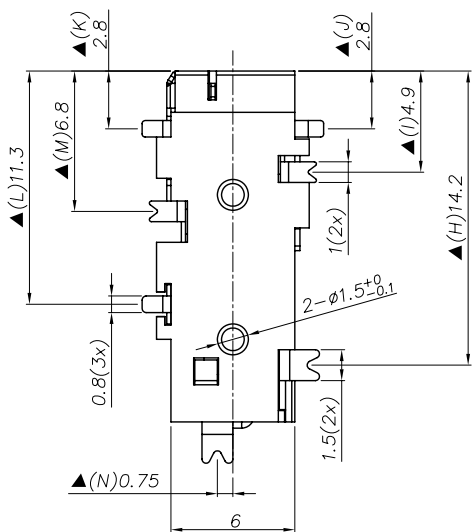


RECOMMENDED P. C. B. LAYOUT
 UNSPECIFIED TOLERANCE: ±0.05
 (COPPER-SIDED VIEW)

Ordering information:
 TPJ-3B130 - □ 9T 0A S 00 1
 (1) (2) (3) (4) (5) (6) (7)
 (1): Series No.
 (2): Schematic option:
 U, W, K, I, J, M
 (3): Material of housing:
 9T=PA9T
 (4): Housing color:
 0A=Black
 (5): Terminal plating:
 S=Silver (Ag)
 (6): Special option:
 00=No special option
 (7): Packing mode:
 1=Tape reel packing



Specification:
 1. Rating : DC 30V 0.5A;
 2. Contact resistance: ≤50mΩ;
 After test: ≤100mΩ
 3. Insulation resistance: ≥100MΩ (500VDC);
 After test: ≥50MΩ
 4. Withstand voltage: 500VAC ;
 5. Insertion and extraction force: 3N~30N;
 6. life test: 5000cycles min;
 7. Operation temperature range: -20℃~70℃;
 8. Preservation temperature range: -40℃~85℃;
 9. Sign"▲" is importance dimension;

Model No.	TPJ-3B130-U	TPJ-3B130-W	TPJ-3B130-K	TPJ-3B130-I	TPJ-3B130-J	TPJ-3B130-M
Schematic						

⑨	Earth terminal	7	1	Phosphor bronze 0.2t	TPJ-3B130-07	Silver plating
⑧	Shunt terminal	6	1	Brass 0.2t	TPJ-3B130-06	Silver plating
⑦	Shunt terminal	5	1	Brass 0.3t	TPJ-3B130-04	Silver plating
⑥	Ring spring	4	1	Stainless steel 0.2t	TPJ-3B130-01	Silver plating
⑤	Ring spring	3	1	Stainless steel 0.2t	TPJ-3B130-01	Silver plating
④	Tip spring	2	1	Phosphor bronze 0.3t	TPJ-3B130-02	Silver plating
③	Earth spring	1	1	Phosphor bronze 0.25t	TPJ-3B130-01	Silver plating
②	Cover		1	PA9T,UL 94V-0	TPJ-3B130-S2	
①	Housing		1	PA9T,UL 94V-0	TPJ-3B130-S1	
NO.	DESCRIPTION	QTY	MATERIAL	PART NO.▲	REMARK	

△			
△			
△			
△			
△			
SYM	DISCRIPTION	DATE	APPROVED
1			
2			
3			

TENGXING ELECTRONICS CO.,LTD

TOLERANCES UNLESS OTHERWISE SPECIFIED		SIGNATURES		DATE	TITLE
LINEAR: ±0.05 ANGULAR: ±3°		DRAWN	Eric	2007.07.18	EARPHONE JACK
REVISIONS	SCALE	CHK' D	Alex	2007.07.18	NO.
A	5/1	APPV' D	Rex	2007.07.18	TPJ-3B130